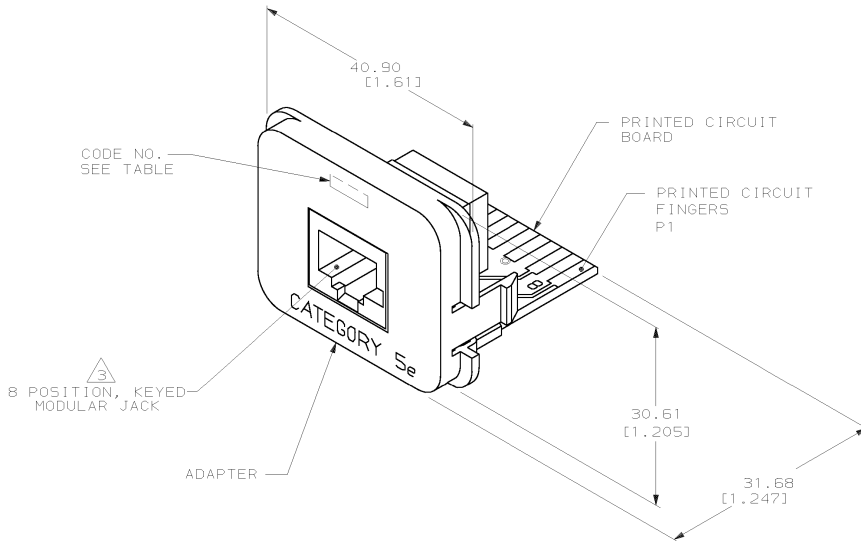
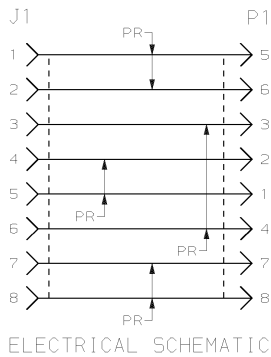


THIS DRAWING IS UNPUBLISHED. RELEASED FOR PUBLICATION 19
 © COPYRIGHT 19 BY AMP INCORPORATED. ALL INTERNATIONAL RIGHTS RESERVED.

LOC		DIST		REVISIONS				DATE	APPRO
ZONE	LTR	DESCRIPTION	DATE	BY	NO	NO	NO	NO	
HM	00	B	REV; EC 0B40-0015-01	26JAN01					



- ⚠ DIMENSIONS ARE MAXIMUM.
- ⚠ MATERIAL: PRINTED CIRCUIT BOARD-LAMINATED PLASTIC SHEET, 1.57 [1.062] THICK. ADAPTER-ABS MOLDING COMPOUND, SEE TABLE. PRINTED CIRCUIT FINGERS-0.51μm [1.000020] MINIMUM GOLD PLATE OVER 1.27μm [1.000050] MINIMUM NICKEL PLATE.
- ⚠ THIS INTERCONNECT MEETS THE REQUIREMENTS OF IEC 603-7.
- 4. THIS INSERT IS DESIGNED TO MATE WITH AMP INC. EDGE CONNECTOR KIT AND WALLBOX KITS.



BLACK	908-6	IVORY	558908-6
BLACK	908-5	WHITE	558908-5
BLACK	908-4	NEMA GRAY	558908-4
WHITE	908-3	BLACK	558908-3
BLACK	908-1	LIGHT ALMOND	558908-1

MARKING COLOR	CODE NO.	ADAPTER COLOR	PART NO
AMP Incorporated Harrisburg, PA 17105-3608			
INSERT ASSEMBLY, RJ45, T568A, CATEGORY 5e AMP COMMUNICATION OUTLET			
DO NOT SCALE PRINT. UNLESS SPECIFIED DIMENSIONS IN mm (INCHES) TOLERANCES ON : 2 PL C DEC ± 3 PL C DEC ± ANGLES ±	DR 1-18-95 M.D. BYERLY CHK 1-20-95 B.FOX APPD 1-20-95 D.BECK	SIZE	CAGE CODE
MATERIAL	APPD 1-20-95 J.R. SCHLUNZ	114-2048	00779
FINISH	PRODUCT SPEC 108-1163	SCALE	DRAWING NO
	WEIGHT	2:1	558908
<small>THIS DRAWING IS A CONTROLLED DOCUMENT FOR AMP INCORPORATED. IT IS SUBJECT TO CHANGE AND THE CONTROLLING ENGINEERING ORGANIZATION SHOULD BE CONTACTED FOR THE LATEST REVISION.</small>		SHEET 1 OF 1	