

4

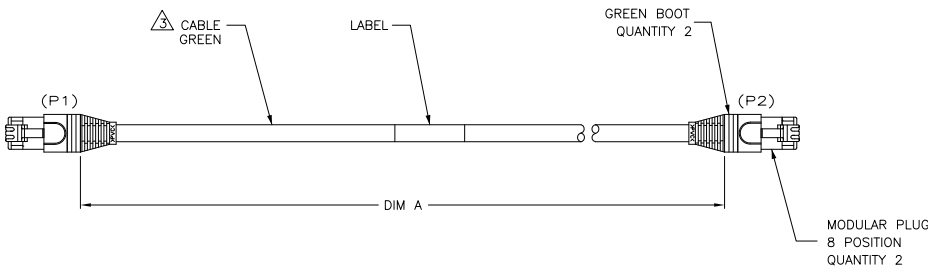
3

2

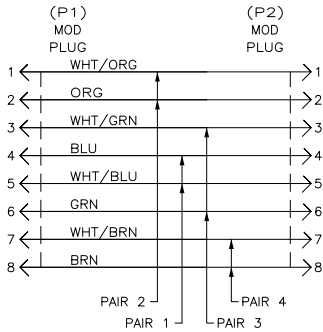
1

THIS DRAWING IS UNPUBLISHED. RELEASED FOR PUBLICATION.
 © COPYRIGHT BY TYCO ELECTRONICS CORPORATION. ALL RIGHTS RESERVED.

LOC	DIST	REVISIONS					
EH	00	F	LNK	DESCRIPTION	DATE	BY	APP
		J		REV ECO-06-02522	01NOV06	LH	CC
		K		REV ECO-07-006161	13APR07	LH	JG
		L		REV ECO-07-022327	04OCT07	LH	JG



- ONE CABLE PACKAGED IN A POLY BAG.
- DIMENSIONS ARE MAXIMUM UNLESS OTHERWISE SPECIFIED.
- CABLE: UNSHIELDED 24 AWG, 4 TWISTED PAIRS, 7/32 STRANDED CONDUCTORS, 100 OHMS, CAT6.
- DESIGNATIONS IN PARENTHESES () ARE FOR REFERENCE ONLY.



WIRING DIAGRAM
568B

25.00	82	25146.0 (990.00)	8-219887-2
22.86	75	23012.4 (906.00)	7-219887-5
21.34	70	21488.4 (846.00)	7-219887-0
20.12	66	20269.2 (798.00)	6-219887-6
18.29	60	18440.4 (726.00)	6-219887-0
15.24	50	15392.4 (606.00)	5-219887-0
12.19	40	12344.4 (486.00)	4-219887-0
10.06	33	10261.6 (404.00)	3-219887-3
9.15	30	9296.4 (366.00)	3-219887-0
7.62	25	7721.6 (304.00)	2-219887-5
6.1	20	6197.6 (244.00)	2-219887-0
5.79	19	5892.8 (232.00)	1-2198887-9
5.18	17	5283.2 (208.00)	1-2198887-7
4.88	16	4978.4 (196.00)	1-2198887-6
4.57	15	4724.4 (184.00)	1-219887-5
4.27	14	4368.8 (172.00)	1-219887-4
3.66	12	3759.2 (148.00)	1-219887-2
3.05	10	3149.6 (124.00)	1-219887-0
2.74	9	2794 (110.00)	219887-9
2.44	8	2489.2 (98.00)	219887-8
2.14	7	2184.4 (86.00)	219887-7
1.83	6	1879.6 (74.00)	219887-6
1.53	5	1574.8 (62.00)	219887-5
1.22	4	1270 (50.00)	219887-4
0.92	3	965.2 (38.00)	219887-3
0.61	2	660.4 (26.00)	219887-2
0.30	1	355.6 (14.00)	219887-1

THIS DRAWING IS A CONTROLLED DOCUMENT.

DIMENSIONS: mm (INCHES) 0 PLG # - # 1 PLG # - # 2 PLG # - # 3 PLG # - # 4 PLG # - # ANGLES # - # FINISH # - #	TOLERANCES UNLESS OTHERWISE SPECIFIED: DIMENSIONS # - # HOLE DIA # - # DRILL DIA # - # TAP DIA # - # ANGLE # - # FINISH # - #	DWG: L. SIMPSON CHK: L. SIMPSON APPR: L. SIMPSON PRODUCT SPEC: - APPLICATION SPEC: 114-13035 WEIGHT: - MATERIAL: - FINISH: -	QDMAR01 Tyco Electronics Corporation Harrisburg, PA 17105-3608 CABLE ASSEMBLY, MOD PLUG, 8 POSITION, GREEN, CAT 6 SIZE: A2 CASE CODE: 00779 DRAWING NO: C-219887 RESTRICTED TO: - CUSTOMER DRAWING SCALE: NTS SHEET: 1 of 1 REV: L
---	---	---	--