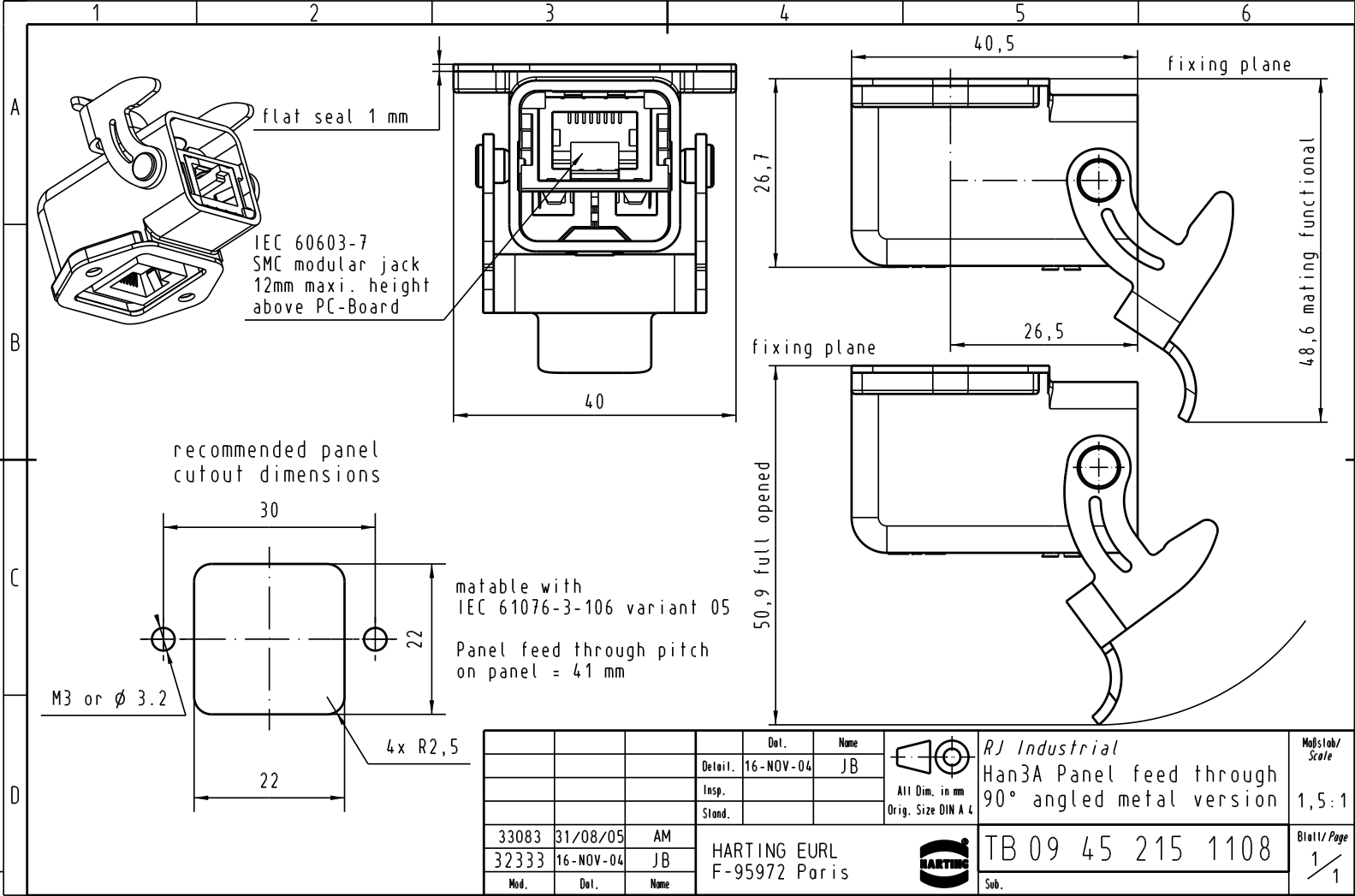


Alle Rechte vorbehalten/ All rights reserved



A  
B  
C  
D

1 2 3 4 5 6

flat seal 1 mm

IEC 60603-7  
SMC modular jack  
12mm maxi. height  
above PC-Board

recommended panel  
cutout dimensions

30

22

M3 or ø 3.2

4 x R2,5

compatible with  
IEC 61076-3-106 variant 05  
Panel feed through pitch  
on panel = 41 mm

40,5

fixing plane


26,7

48,6 mating functional

26,5

fixing plane

50,9 full opened

			Del.	Name	 All Dim. in mm Orig. Size DIN A 4	<b>RJ Industrial</b> <b>Han3A Panel feed through</b> <b>90° angled metal version</b>	Maßstab/ Scale 1,5:1	
			Detail.	16-NOV-04				JB
			Insp.					
			Stand.					
33083	31/08/05	AM	HARTING EURL			<b>TB 09 45 215 1108</b>	Blatt/ Page 1/1	
32333	16-NOV-04	JB	F-95972 Paris					
Mod.	Del.	Name				Sub.		