

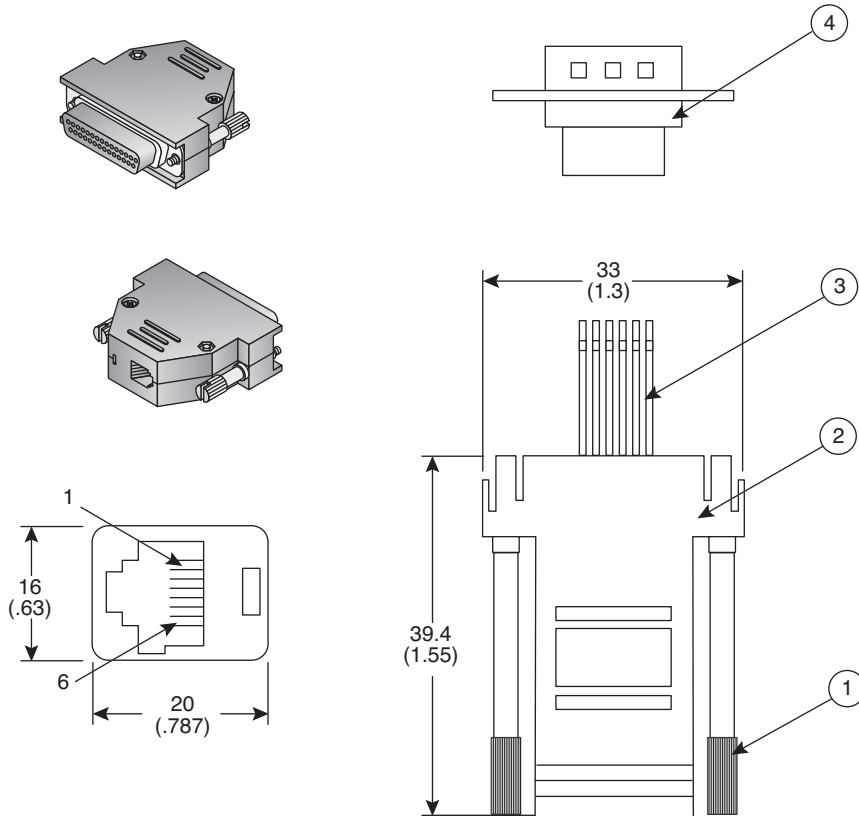
Modular Jack Adapters

154-0966M, 154-0966F, 154-0988M, 154-0988F



Modular Jack Adapters

154-0966M, 154-0966F, 154-0988M, 154-0988F



Dimensions: mm (In)

MATERIALS		
No.	Part Name	Description
1	Screw	4# - 40 L=37
2	Housing	ABS Gray 8P
3	Wire	3U" + Male
4	Connector	DB9M BK

154-0966M, 154-0966F	
Pin	Wire Color
1	White
2	Black
3	Red
4	Green
5	Yellow
6	Blue

154-0988M, 154-0988F	
Pin	Wire Color
1	Blue
2	Orange
3	Black
4	Red
5	Green
6	Yellow
7	Brown
8	White

Date Last Revised: 10-18-05

Available from Mouser Electronics
1-800-346-6873
www.mouser.com

KC-300655