

4

3

2

1

THIS DRAWING IS UNPUBLISHED. RELEASED FOR PUBLICATION. ALL RIGHTS RESERVED.

LOC	DIST	REVISIONS		
P	LR	DESCRIPTION	DATE	BY
HM	00			
G1		REVISED PER ECO-11-005033	21MAR11	RK HMR

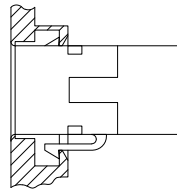
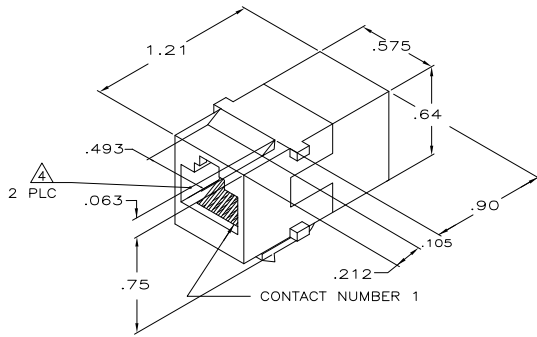
1. ALL DIMENSIONS SHOWN ARE MAXIMUM UNLESS OTHERWISE SPECIFIED.

△ MATERIAL:
HOUSING - POLYPHENYLENE OXIDE, BLACK.
TERMINAL - .018 DIA PHOSPHOR BRONZE PLATED WITH .000050 MINIMUM THICK GOLD OVER .000050 MINIMUM THICK NICKEL.

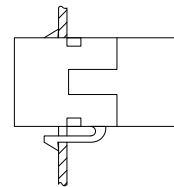
3. MOUNTING PANEL THICKNESS .062 NOMINAL.

△ CAVITIES SHALL CONFORM TO FCC RULES AND REGULATIONS, PART 68, SUBPART F.

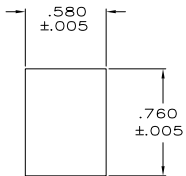
△ BULK P/N = 2-555052-1. BULK PACK IN QUANTITIES OF 100 PCS.



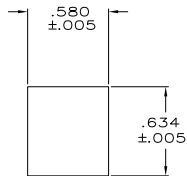
DOUBLE WALL PLATE
NOT TO SCALE



SINGLE WALL PLATE



RECOMMENDED PANEL CUTOUT
FOR SINGLE WALL PLATE
AND BACK PANEL FOR
DOUBLE WALL PLATE



RECOMMENDED FRONT PANEL
CUTOUT FOR DOUBLE
WALL PLATE

△ 2-555052-1
555052-1
PART NO

THIS DRAWING IS A CONTROLLED DOCUMENT.		DR: S. WATMAN 22JUN05	TE Connectivity
		CHK: L. DALL 22JUN05	
DIMENSIONS: INCHES		APR: S. HERNON 22JUN05	COUPLER ASSEMBLY, 8 POSITION, IN-LINE
OTHER DIMENSIONS: MILLIMETERS		NAME: S. HERNON	
PRODUCT SPEC: 0 PLC ± .0005		APPLICATION SPEC: -	RESTRICTED TO: -
MATERIAL: - △		WEIGHT: -	SIZE: A2
FINISH: - △		CAGE CODE: C-555052	DRAWING NO: -
		CUSTOMER DRAWING	SCALE: 2:1 SHEET: 1 of 1 REV: G1