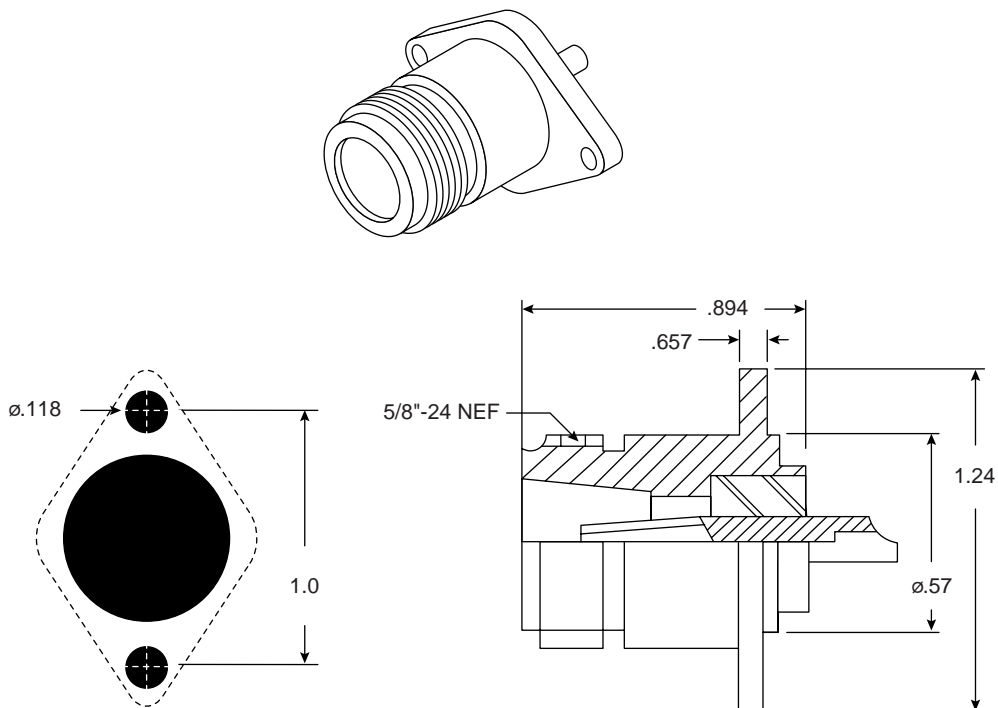


N Panel Receptacle

161-9222



N Panel Receptacle



DIMENSIONS (IN.)

SPECIFICATIONS	
Voltage Rating:	500VAC
Withstanding Voltage:	1,000VAC for 1 minute
Insulation Resistance:	1,000M Ω @ 500VDC
Contact Resistance:	30m Ω (max.) @ 1A DC
Frequency Range:	0-4,000MHz
VSWR:	1.2 (max.) 0-4GHz
Shell & Coupling Nut:	Nickel plated brass
Male Contact:	Silver plated brass
Female Contact:	Silver plated beryllium (Cu)
Insulator:	Delrin

Date Last Revised: 4-06-04

Available from Mouser Electronics
1-800-346-6873
www.mouser.com

KC-300002

161-9222