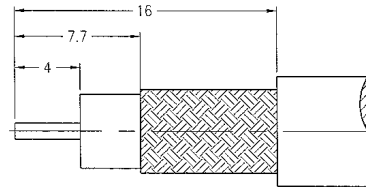


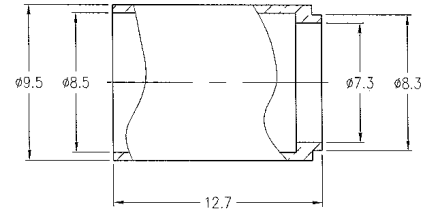
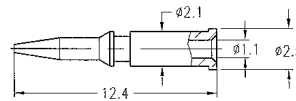
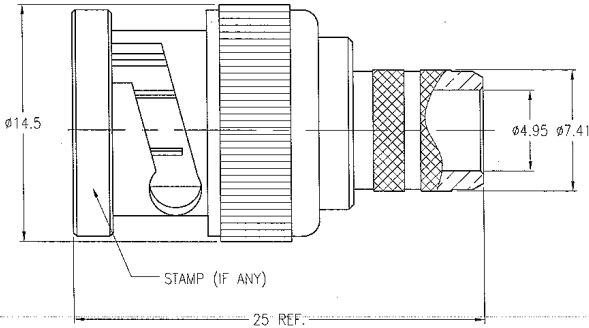
NOTES:

1. MATERIALS AND FINISHES:  
 BODY - BRASS, NICKEL PLATING  
 BAYONET - ZINC DIECAST, NICKEL PLATING  
 CONTACT - BRASS, GOLD PLATING  
 INSULATOR - DELRIN
2. ELECTRICAL:  
 A. IMPEDANCE: 75 OHM  
 B. FREQUENCY RANGE: 0-2 GHz  
 C. VSWR(RETURN LOSS): 1.3 (17.7 dB), MAX.  
 D. DIELECTRIC WITHSTANDING VOLTAGE: 1500 VRMS, MIN.
3. MECHANICAL:  
 A. DURABILITY: 500 CYCLES MIN.  
 B. TEMPERATURE RANGE: - 65°C to +165°C
4. CRIMPED FERRULE  
 HEX CRIMP SIZE .324"
5. CRIMPED CONTACT PIN  
 HEX CRIMP SIZE .068"  
 OR TO SOLDER

31-71000-RFX1		REVISIONS			
PART NO.	REV	DESCRIPTION	DATE	ECO	APPR
THIRD ANGLE PROJ.	N	BAYONET WAS BRASS	7/13/06	46154	GH



RECOMMENDED  
CABLE STRIPPING DIM'S



**CUSTOMER OUTLINE DRAWING**  
ALL OTHER SHEETS ARE FOR INTERNAL USE ONLY

UNLESS OTHERWISE SPECIFIED, DIMENSIONS ARE IN METRIC AND TOLERANCES ARE: 0.5 - 6mm ±0.1mm 6 - 30mm ±0.2mm 30 - 120mm ±0.3mm ANGLES ±1°	MATERIAL	DRAWN: GARRA ENGINEER: GARRA DATE: 30-Jun-06	TITLE: BNC CRIMP PLUG DATE: 30-Jun-06	Amphenol RF Danbury CT USA, Tainan Taiwan, Shenzhen China www.amphenolrf.com
	NOTICE - These drawings, specifications, or other data (1) are, and remain the property of Amphenol Corp. (2) must be returned upon request, and (3) are confidential and not to be disclosed to any person other than those to whom they are given by Amphenol Corp. The furnishing of these drawings, specifications, or other data by Amphenol Corp. or to any other person to anyone for any purpose is not to be regarded by implication or otherwise in any manner licensing, granting rights or permitting such holder or any other person to manufacture, use or sell any product, process or design, patented or otherwise, that may in any way be related to or disclosed by said drawings, specifications, or other data.	REFERENCE: APPROVED: <i>[Signature]</i> CAD FILE: <i>[Signature]</i> DATE: 7/13/06	SCALE: 3/1 DWG SIZE: B CODE ID: 74868 REV: N	SHEET: 2 OF 2 DRAWING NO: B1121B1-016-ND3G-75 ITEM NO: 011121ALJA1ND7F PART NO: 31-71000-RFX1