

4

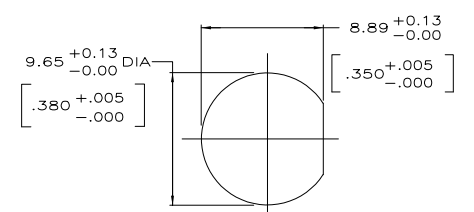
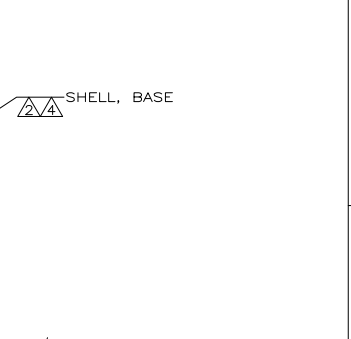
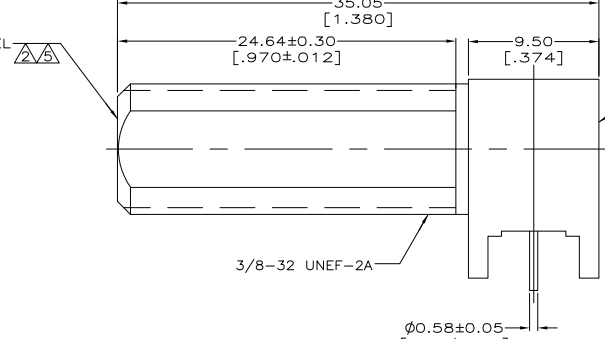
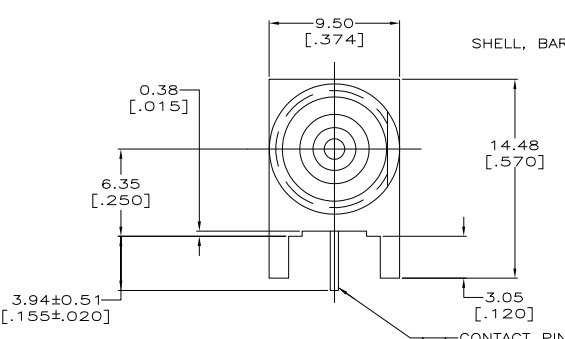
3

2

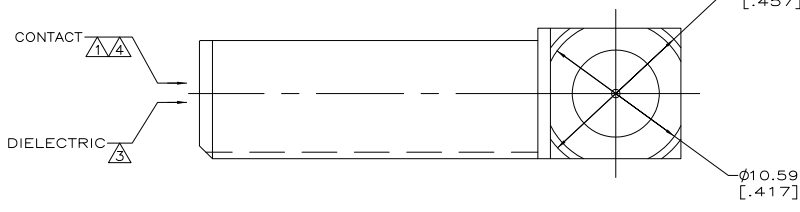
1

THIS DRAWING IS UNPUBLISHED. RELEASED FOR PUBLICATION BY TYCO ELECTRONICS CORPORATION. ALL RIGHTS RESERVED.

| LOC | DIST | REVISIONS | | | | | |
|-----|------|-----------|-----|-----------------------|-----------|-----|-----|
| AJ | 00 | P | LTR | DESCRIPTION | DATE | MIN | APD |
| | | C | | REV PER ECO 06-016796 | 1/23/2007 | DW | KW |

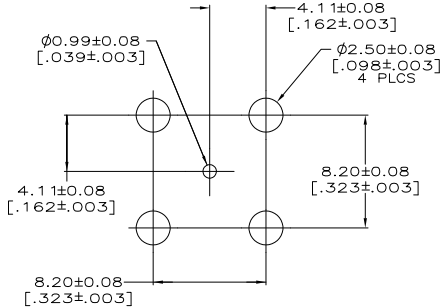


SUGGESTED PANEL CUTOUT



- △ PHOSPHOR BRONZE.
- △ BRASS.
- △ PTFE.
- △ TIN PLATE 2.54 μm [.000100] MINIMUM THICK.
- △ NICKEL PLATE 2.54 μm [.000100] MINIMUM THICK.

6. CONNECTOR WILL ACCEPT CENTER CONDUCTOR DIAMETER RANGE OF 0.51 [.020] - 1.19 [.047]



PCB CONFIGURATION

887094-1
PART NUMBER

| | | | |
|--|--|---|---|
| THIS DRAWING IS A CONTROLLED DOCUMENT. | | DIM: J. LIPPERT 9-26-97 OK: K. WEDNER 9-26-97 APP: K. WEDNER 9-26-97 PRODUCT SPEC: 108-1755 APPLICATION SPEC: - WEIGHT: - FINISH: - CUSTOMER DRAWING | Tyco Electronics Tyco Electronics Corporation Harrisburg, PA 17105-3608 JACK, PCB, RIGHT ANGLE, F SERIES SIZE: A2 CAGE CODE: 00779 DRAWING NO: C-887094 RESTRICTED TO: - SCALE: 5:1 SHEET: 1 of 1 REV: C |
|--|--|---|---|

AMP 1471-9 REV 31MM2000