

4

3

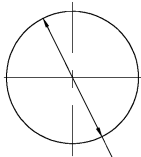
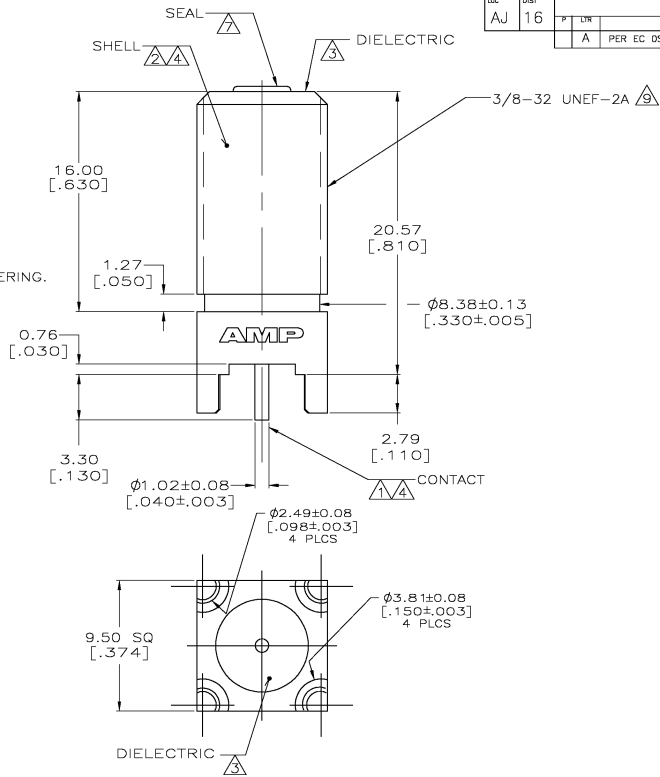
2

1

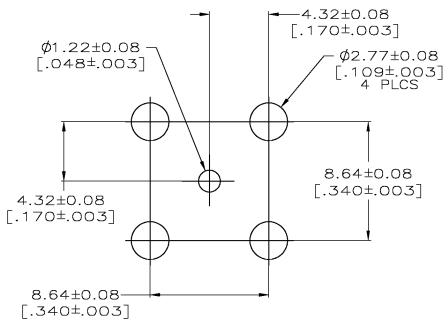
THIS DRAWING IS UNPUBLISHED. RELEASED FOR PUBLICATION
 © COPYRIGHT BY TYCO ELECTRONICS CORPORATION. ALL RIGHTS RESERVED.

LOC	DIST	REVISIONS		
P	LN	DESCRIPTION	DATE	BY
AJ	16	PER EC 0514-0179-04	17NOV04	D5 KW

- 1 PHOSPHOR BRONZE PER QQ-B-750
- 2 ZINC PER QQ-Z-363.
- 3 PTFE PER MIL-P-19468.
- 4 TIN PLATE PER ASTM-B-545
2.54 μm [.000100] MINIMUM THICK.
- 5. CONNECTOR WILL ACCEPT A CENTER CONDUCTOR
DIAMETER OF 0.56[.022]-1.19[.047].
- 6. RETURN LOSS: -20 dB OR BETTER UP TO 2 GHz.
- 7 HI TEMPERATURE FLUOROCARBON, BROWN.
- 8. CONNECTOR MADE FROM MATERIALS SUITABLE FOR IR REFLOW SOLDERING.
- 9 MAJOR DIAMETER MODIFIED TO .363 REF.



RECOMMENDED PANEL CUTOUT



RECOMMENDED PCB CONFIGURATION

1274423-1
PART NUMBER

THIS DRAWING IS A CONTROLLED DOCUMENT.		DRW M. O'BRIEN 07JAN00	Tyco Electronics Corporation Middletown, PA 17057
DIMENSIONS: INCHES		CHK K. WEIDNER 07JAN00	
TOLERANCES UNLESS OTHERWISE SPECIFIED:		APPD K. WEIDNER 07JAN00	PROJECT SPEC
0 PLCS ± .005		APPLICATION SPEC	
1 PLCS ± .005		WEIGHT	
2 PLCS ± .005		HEIGHT	
3 PLCS ± 0.20 (.008)		CUSTOMER DRAWING	
4 PLCS ± .005		SCALE 5:1 SHEET 1 OF 1 REV A	
ANGLES ± .005		SEE NOTE 4	
FINISH		SEE NOTE 4	
MATERIAL: SEE NOTES 1,2,3,7		SEE NOTE 4	
DATE CODE		A2 00779 C=1274423	
DRAWING NO		1274423	
RESTRICTED TO		-	

AMP 1421-9 REV 31MAR2000

1274423

A