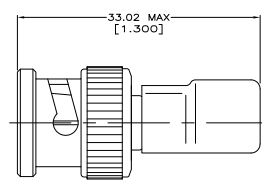
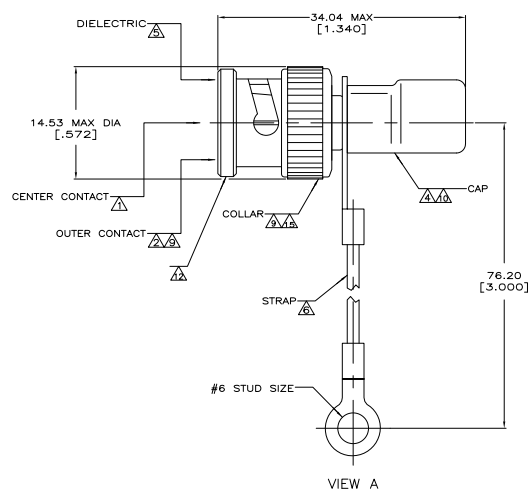
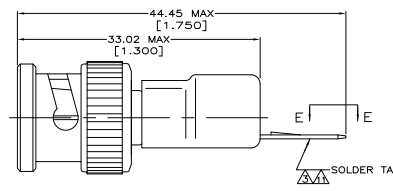


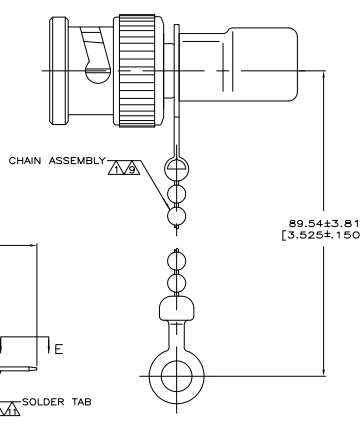
REV	DATE	DESCRIPTION	BY	CHK	APP
AJ 16					
A2		REVISED PER EDD-11-005030			



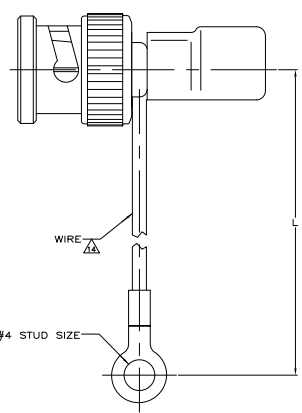
VIEW B
 SAME AS VIEW A EXCEPT AS SHOWN



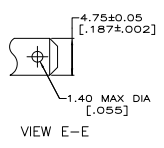
VIEW D
 SAME AS VIEW A EXCEPT AS SHOWN



VIEW C
 SAME AS VIEW A EXCEPT AS SHOWN



VIEW F
 SAME AS VIEW A EXCEPT AS SHOWN



VIEW E-E

- ▲ BRASS PER QQ-B-626.
- ▲ BRASS PER MIL-C-21768.
- ▲ BRASS PER MIL-C-50.
- ▲ COPPER PER QQ-C-576.
- ▲ POLYETHYLENE PER LP-390.
- ▲ POLYESTER PER MIL-T-43435, COLOR NATURAL.
- ▲ GOLD PLATE PER MIL-C-45204, 0.76 μm [.000030] MINIMUM THICK.
- ▲ SILVER PLATE PER QQ-S-365, 2.54 μm [.000100] MINIMUM THICK.
- ▲ NICKEL PLATE PER QQ-N-290, 1.27 μm [.000050] MINIMUM THICK.
- ▲ TIN PLATE PER ASTM B 545, 2.54 μm [.000100] MIN THICK.
- ▲ TIN PLATE PER ASTM B 545, 3.81 μm [.000150] MINIMUM THICK.
- ▲ VALUE MARKED ON CONNECTOR BODY AS SHOWN. (SEE TABLE)
- ▲ SEE SEPARATE RESTRICTED CUSTOMER DRAWING WITH THIS PART NUMBER.
- ▲ 16 GAUGE INSULATED GROUND WIRE.
- ▲ ZINC PER QQ-Z-363

RESISTOR SPECIFICATIONS	MARKING	L	CENTER CONTACT PLATING	VIEW	PART NUMBER
OBSELETE 1 1% 50 50Ω 1W		▲		B	9-221629-1
OBSELETE 1 1% 50 50Ω 1W		▲		A	9-221629-0
OBSELETE 1 1% 50 50Ω 1W	2998 99225 4K	▲		F	2-221629-2
OBSELETE 1 1% 50 50Ω 1W		▲			2-221629-1
OBSELETE 1 1% 50 50Ω 1W		▲			2-221629-0
OBSELETE 1 1% 50 50Ω 1W		▲			1-221629-9
OBSELETE 1 1% 50 50Ω 1W		▲		B	1-221629-8
OBSELETE 1 1% 50 50Ω 1W		▲		F	1-221629-6
OBSELETE .5 1% 75 75Ω .5W		▲		D	1-221629-2
OBSELETE 1 1% 50 50Ω 1W		▲		C	1-221629-1
OBSELETE 1 1% 50 50Ω 1W		▲		B	221629-9
OBSELETE 1 1% 50 50Ω 1W		▲		B	221629-8
OBSELETE .5 5% 100 100Ω .5W		▲		B	221629-7
OBSELETE 1 1% 93 93Ω 1W		▲		B	221629-6
OBSELETE 1 1% 75 75Ω 1W		▲		B	221629-5
OBSELETE 1 1% 50 50Ω 1W		▲		E	221629-4
OBSELETE 1 1% 93 93Ω 1W		▲		A	221629-3
OBSELETE 1 1% 75 75Ω 1W		▲		A	221629-2
OBSELETE 1 1% 50 50Ω 1W		▲		A	221629-1

THIS DRAWING IS A CONTROLLED DOCUMENT. (REV. 16)

APPROVED BY: E. BUTTS (REV. 16)

DATE: 10-11-00

TE Connectivity

TERMINATOR, PLUG, COMMERCIAL ENCL

SIZE: A1 (00779) Q=221629

CUSTOMER DRAWING