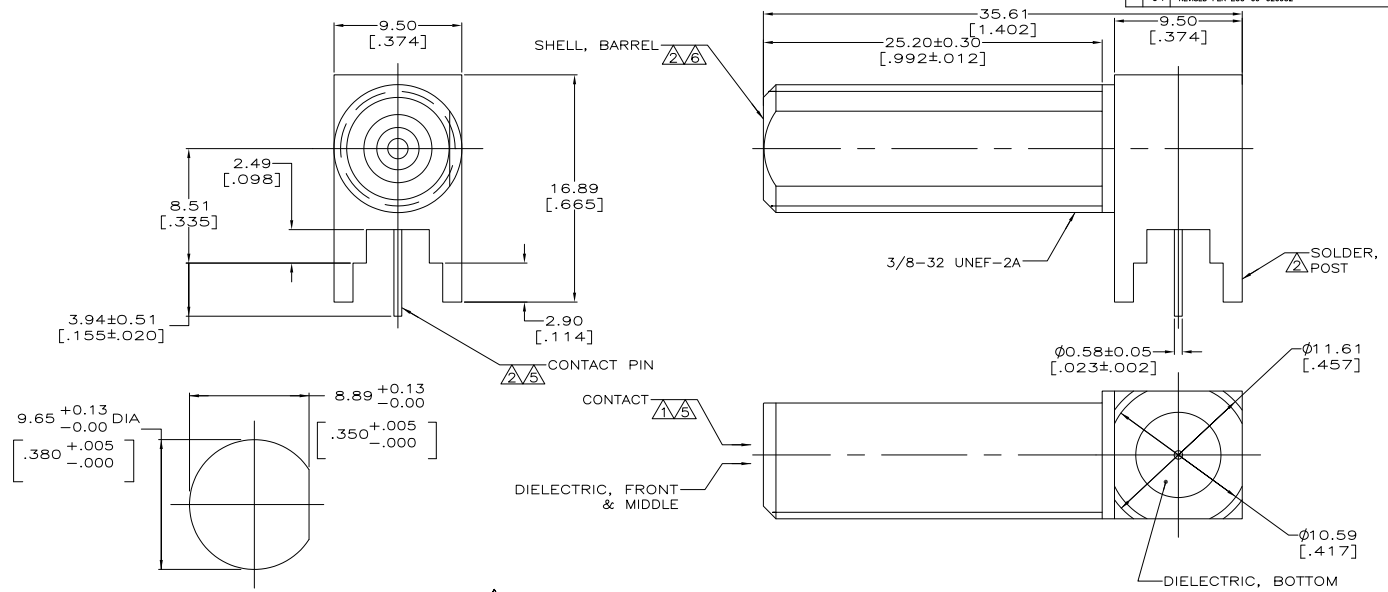
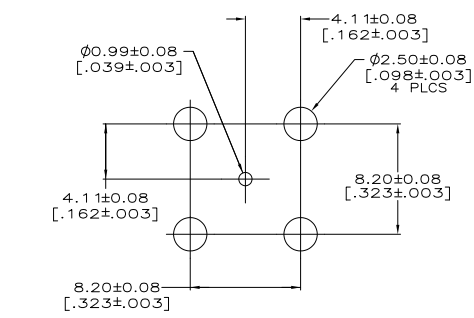


THIS DRAWING IS UNPUBLISHED.
 RELEASED FOR PUBLICATION
 © COPYRIGHT 2005 BY TYCO ELECTRONICS CORPORATION. ALL RIGHTS RESERVED.

LIC		DST		REVISIONS				
NO	REV	DATE	BY	APP	DESCRIPTION	DATE	BY	APP
AJ	00							
J		1/22/2007	DW	KW	REVISED PER ECO 06-016786			
J1		04SEP09	KK	AEG	REVISED PER ECO-09-020932			



SUGGESTED PANEL CUTOUT



PCB CONFIGURATION

- △ PHOSPHOR BRONZE.
- △ BRASS.
- △ PTFE.
- △ ACETAL, GENERAL PURPOSE
- △ TIN PLATE $2.54 \mu\text{m}$ [.000100] MINIMUM THICK.
- △ NICKEL PLATE $2.54 \mu\text{m}$ [.000100] MINIMUM THICK.
- △ POLYPROPYLENE, GENERAL PURPOSE
- 8. CONNECTOR WILL ACCEPT CENTER CONDUCTOR DIAMETER RANGE OF .020-.047.
- △ OBSOLETE PARTS: OBSOLETE CIS STREAMLINING PER D.RENAUD/D.SINISI

REV	DESCRIPTION	DATE	BY	APP	PART NUMBER
9	OBSOLETE				415024-3
8	OBSOLETE				415024-2
7	OBSOLETE				415024-1

THIS DRAWING IS A CONTROLLED DOCUMENT.		DATE: 09/09/07		Tyco Electronics Corporation Harrisburg, PA 17105-3608	
DIMENSIONS: mm [INCHES]		TOLERANCES UNLESS OTHERWISE SPECIFIED:		APPROVED: [Signature]	
D PLG ±		F LIPPER 10/04/97		DATE: 10/04/97	
E PLG ±		K WEDNER 10/04/97		NAME: [Signature]	
F PLG ±		PRODUCT SPEC: 108-1755		SIZE: JACK, PCB, RIGHT ANGLE, F SERIES	
G PLG ±		APPLICATION SPEC: 108-1755		SIZE: A2	
H PLG ±		WEIGHT: --		CAGE CODE: 00779	
I PLG ±		FINISH: --		DRAWING NO: 415024	
J PLG ±		MATERIAL: --		RESTRICTED TO: --	
K PLG ±		CUSTOMER DRAWING		SCALE: 5:1	
L PLG ±		SEE NOTES 1-4, 7		SHEET: 1 of 1	
M PLG ±		SEE NOTES 5 & 6		REV: J1	

AMP 1471-9 REV 31MMR2000

415024

A