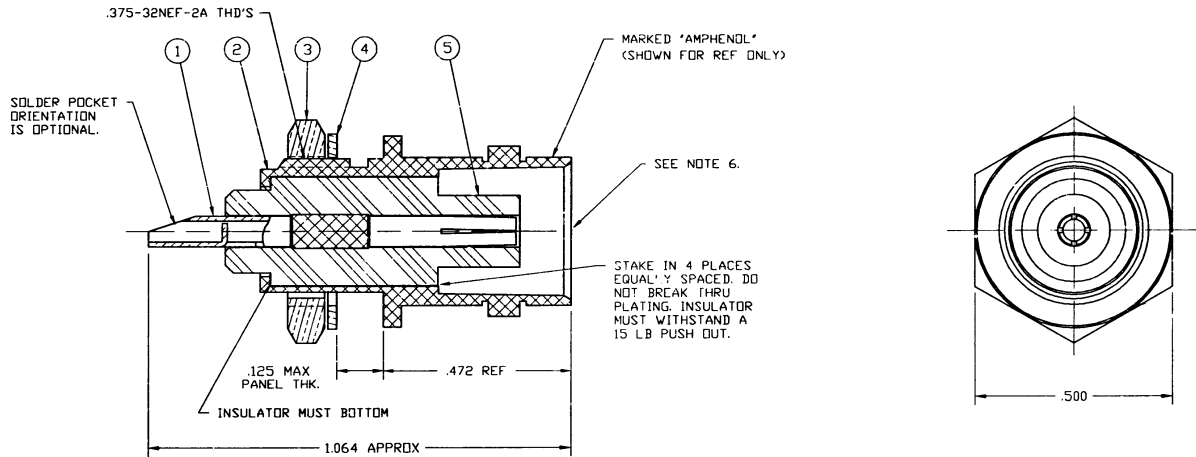


MUST CONFORM TO AMPHENOL SPEC. 349-50560. CONTACT IS GOLD PLATED,  
 METAL PARTS ARE ASTROPLATED (REF)  
 ASSEMBLY CENTER CONTACT SHALL RESIST A TORQUE OF 4 IN-OZ WITHOUT TURNING  
 TO INSULATOR & SHELL.  
 NOTE: WHEN SOLDERING WIRE TO CONTACT, ROSIN CORE (60% TIN, 40% LEAD)  
 SOLDER PER QQ-S-571 IS RECOMMENDED.  
 IN BAG 999-299.  
 & 4, WILL BE PACKAGED LOOSE.  
 FORM TO AMPHENOL SPEC. 349-50551, SEC. 301.  
 SCALE THIS DRAWING.  
 OTHERWISE SPECIFIED, ALL DIMENSIONS ARE AFTER PLATING.

| 31-221-RFX1       |     | REVISIONS   |        |       |      |
|-------------------|-----|---|--------|-------|------|
| DRAWING NO.       | REV | DESCRIPTION   | DATE   | ECO   | APPR |
| THIRD ANGLE PROJ. | A   | OFFICIAL ENG. RELEASE TO MFG.   | 5/3/91 | 38053 | DR   |
|                   | K   | REDRAWN WAS 'C' SIZE; ITEM 1 WAS 31-10124-B0, UPDATED PLATE CODES; ADDED NOTES 7 & 8. | 2/4/99 | 40865 | CPM/ |



| PART NUMBER  | QTY | ITEM | DESCRIPTION | FINISH |
|--------------|-----|------|-------------|--------|
| 31-12416     | 1   | 5    | INSULATOR   |        |
| 5579-NA      | 1   | 4    | LOCKWASHER  | NOTE 1 |
| 31-10495-NA  | 1   | 3    | NUT         | NOTE 1 |
| 31-12412-ND  | 1   | 2    | BODY        | NOTE 1 |
| 31-10325-IG1 | 1   | 1    | CONTACT     | NOTE 1 |

DRILLING HOLE DETAIL  
 PANEL THK .104

UNSPECIFIED, DIMENSIONS ARE IN INCHES AND TOLERANCES ARE:  
 3 PLACE DECIMAL ANGLES  
 ± .005 (0.127 mm)  
 ± .1°  
 Drawings, specifications, or other data (1) are, and remain the property of Amphenol Corporation. (2) must be returned upon request; and (3) are to be disclosed to any person other than those to whom they were furnished by Amphenol Corporation. The furnishing of these drawings, specifications, or other data, or to any other person to anyone for any purpose is prohibited without the written consent of Amphenol Corporation. No holder or any other person to manufacture, use or sell any product, patented or otherwise, that may in any way be related to the drawings, specifications, or other data.

| MATERIAL                  | DRAWN  | DATE            | TITLE             | Amphenol   |                            |
|---------------------------|--|-----------------|-------------------|--|----------------------------|
| REFERENCE<br>EAR 962370-0 | T. ALBERA                                    | 4/9/91          | BNC<br>RECEPTACLE | Amphenol Corporation<br>RF/Microwave Operations<br>Danbury, Conn. U.S.A. 06810 |                            |
|                           | ENGINEER<br>D. ROYCE                         | DATE<br>4/27/91 |                   | SCALE: 4:1   | SHEET OF                   |
|                           | APPROVED<br>D. ROYCE                         | DATE<br>4/27/91 |                   |  |                            |
|                           | CAD FILE<br>H:\DEF-T611\BNC\031\ASSY\221RFX1 |                 | CODE ID<br>74868  | DWG SIZE<br>B  | DRAWING NO.<br>31-221-RFX1 |
|                           |  |                 |                   |  | R-V<br>K                   |