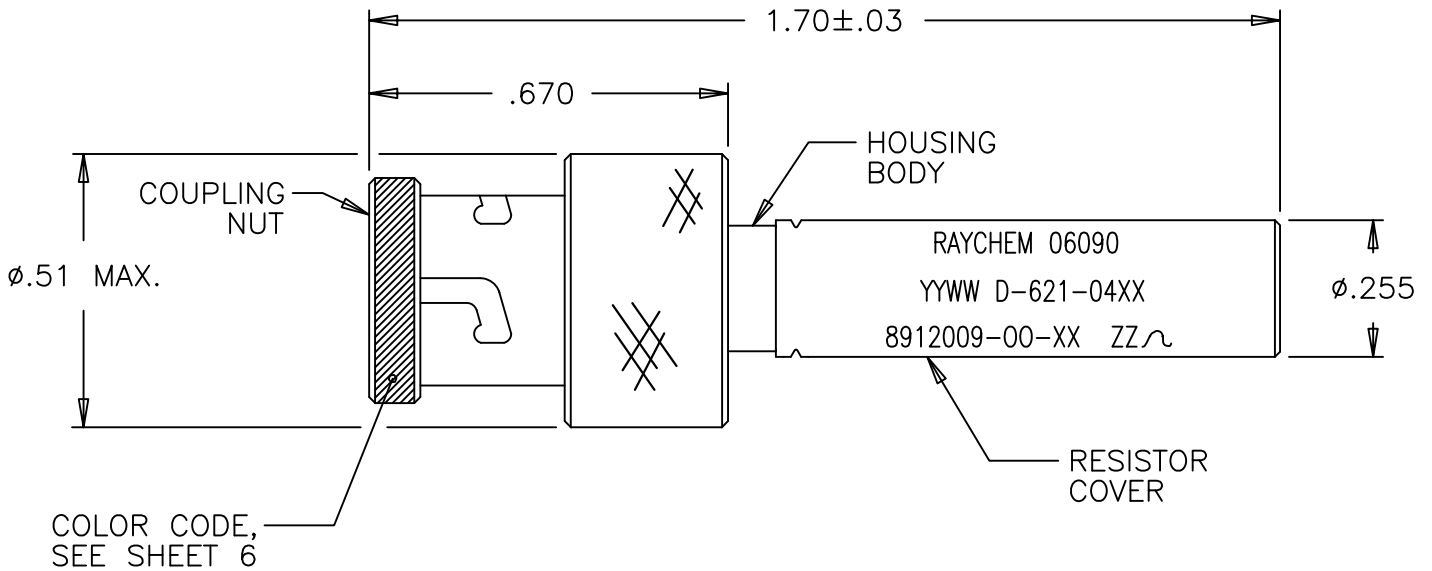


| REVISIONS |   |           |          |
|-----------|---|-----------|----------|
| LTR       | DESCRIPTION                               | DATE      | APPROVED |
| D         | REVISED PER ECN T-14105 (LANYARD WAS 6in) | 90MAR29   | Z. TEMAN |
| E         | REVISED PER ECN# T-17959                  | 93JAN06   | Z. TEMAN |
| F         | REVISED PER ECN# T-21489                  | 6/10/97   | Z. TEMAN |
| F1        | REVISED DWG PER ECO-11-009073             | 5/02/2011 | E.CHEN   |


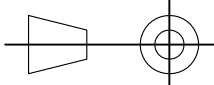
NOTE: (-L) ADDED TO D-621-04XX NUMBER INDICATES LANYARD (See Sheets 3 and 4),



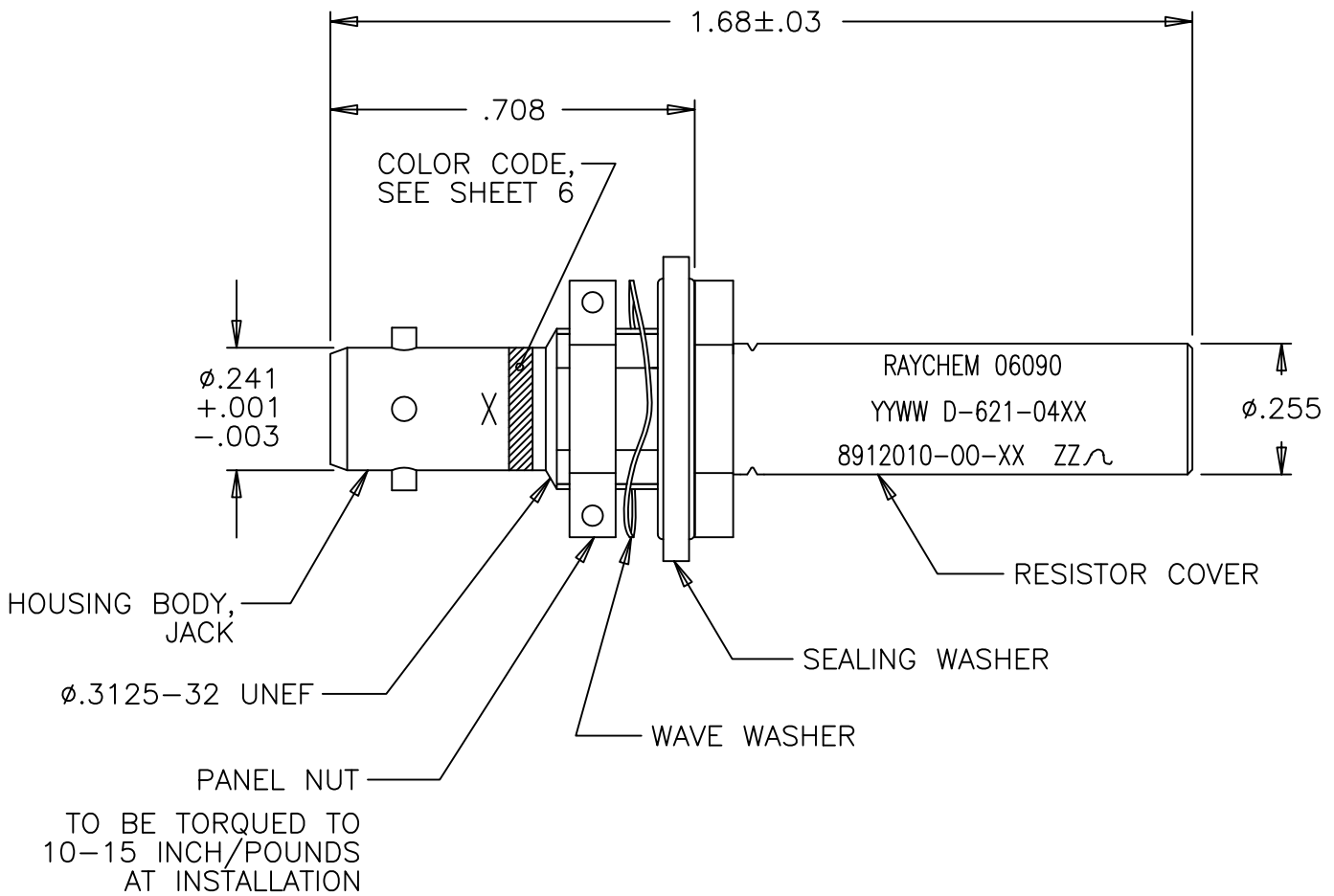
(TRIAxIAL CONNECTOR, PLUG WEIGHT: 16 GRAMS MAX.)

© 2011 Tyco Electronics Corporation. All Rights Reserved.

Raychem Databus  
**CUSTOMER DRAWING**

|  |                                      |  |  |  |
|--|--------------------------------------|--|--|--|
| UNLESS OTHERWISE SPECIFIED DIMENSIONS ARE IN INCHES. METRIC DIMENSIONS ARE IN BRACKETS.<br><br>DECIMALS<br>.XXX ± .005 { — mm }<br>.XX ± .01 { — mm }<br>ANGLES<br>.X ± 1°<br><br>WEIGHT<br>— lbs { — g MAX. } | DRAWN J.B.K. 89 JULY 21              |  TE Connectivity | TITLE<br>CORROSION RESISTANT CONNECTOR,<br>TRIAXIAL, BAYONET COUPLED,<br>RESISTOR TERMINATOR |  |
|  | CHECKED                              |  |  |  |
|  | APPROVED                             |  |  |  |
|  | APPROVED Z.TEMAN 89 JULY 26          |  |  |  |
|  | CAD NAME<br>D-621-0453_0484-La_CD_F1 | SIZE CODE IDENT. NO. DWG. NO. REV<br>A 06090 D-621-0453/0484-L F1                                    |  |  |
| THIRD ANGLE PROJECTION<br>  | DO NOT SCALE THIS DRAWING            |  | SHEET 1 OF 7   |  |





(TRIAxIAL CONNECTOR, JACK WEIGHT: 14 GRAMS MAX.)

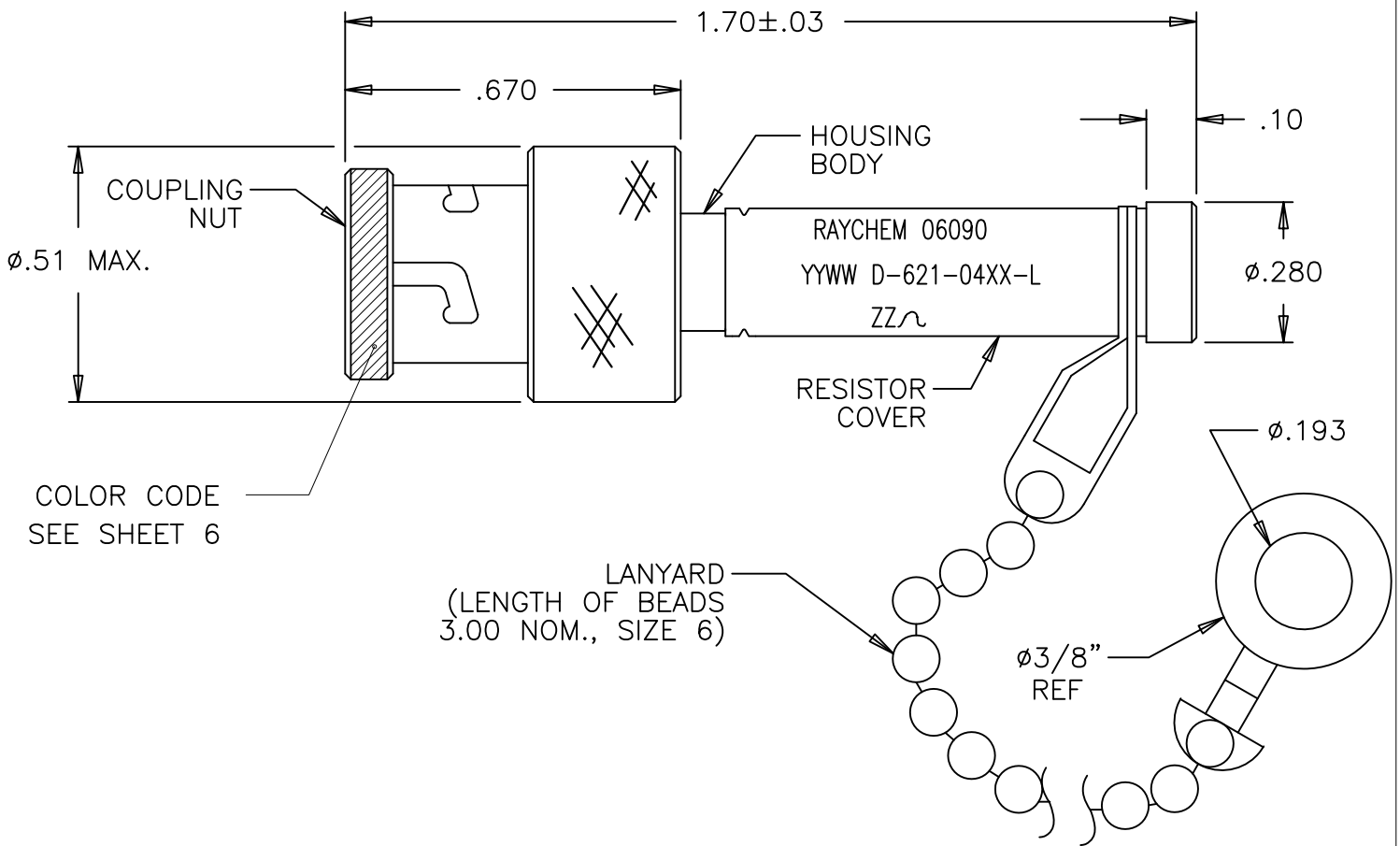
Raychem Databus  
CUSTOMER DRAWING



TE Connectivity

|                                       |        |        |            |                           |                          |                               |           |
|---------------------------------------|--------|--------|------------|---------------------------|--------------------------|-------------------------------|-----------|
| CAD NAME:<br>D-621-0453_0484-Lb_CD_F1 | DRAWN  | J.B.K. | 89 JULY 21 | SIZE<br>A                 | CODE IDENT. NO.<br>06090 | DWG. NO.<br>D-621-0453/0484-L | REV<br>F1 |
|                                       | ISSUED |        |            | DO NOT SCALE THIS DRAWING |                          | SHEET 2 OF 7                  |           |





(TRIAxIAL CONNECTOR, WITH LANYARD, PLUG WEIGHT: 21 GRAMS MAX.)

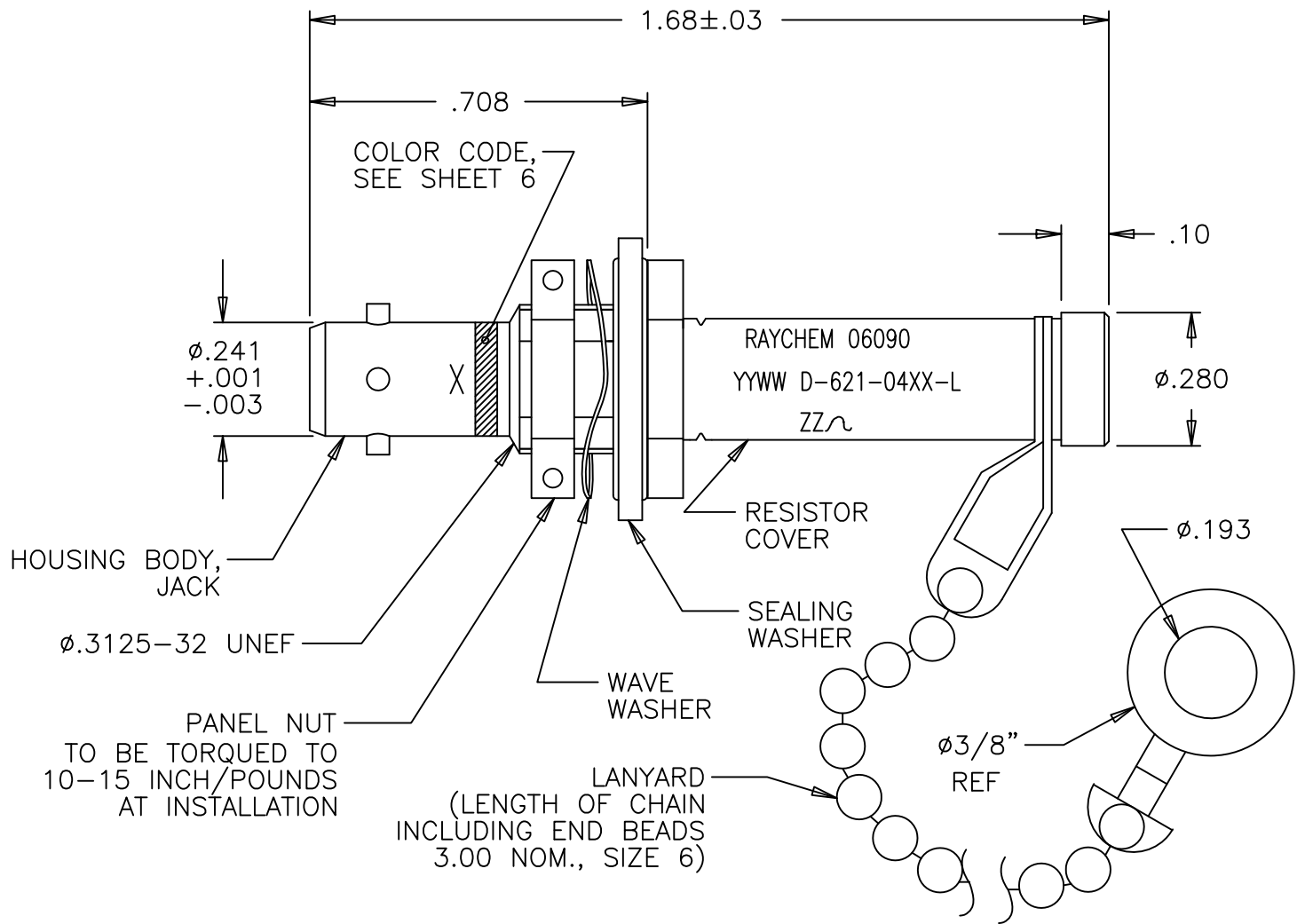
Raychem Databus  
CUSTOMER DRAWING



TE Connectivity

|                                       |        |        |           |                           |                          |                               |           |
|---------------------------------------|--------|--------|-----------|---------------------------|--------------------------|-------------------------------|-----------|
| CAD NAME:<br>D-621-0453_0484-Lc_CD_F1 | DRAWN  | J.B.K. | 89 AUG 25 | SIZE<br>A                 | CODE IDENT. NO.<br>06090 | DWG. NO.<br>D-621-0453/0484-L | REV<br>F1 |
|                                       | ISSUED |        |           | DO NOT SCALE THIS DRAWING |                          | SHEET 3 OF 7                  |           |





TRIAxIAL CONNECTOR, WITH LANYARD, JACK WEIGHT: 19 GRAMS MAX.)

Raychem Databus  
CUSTOMER DRAWING



TE Connectivity

|                                       |        |        |            |      |                 |                   |     |
|---------------------------------------|--------|--------|------------|------|-----------------|-------------------|-----|
| CAD NAME:<br>D-621-0453_0484-Ld_CD_F1 | DRAWN  | J.B.K. | 89 JULY 21 | SIZE | CODE IDENT. NO. | DWG. NO.          | REV |
|                                       | ISSUED |        |            | A    | 06090           | D-621-0453/0484-L | F1  |
| DO NOT SCALE THIS DRAWING             |        |        |            |      |                 | SHEET 4 OF 7      |     |



1.0 MATERIALS AND FINISHES

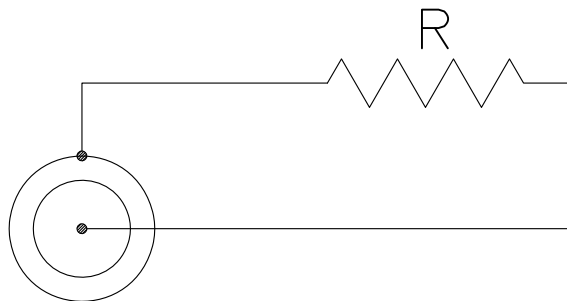
- 1.1 HOUSING BODY: BECU PER ASTM B 196, TIN PLATED PER MIL-T-10727, OVER NICKEL PER QQ-N-290
- 1.1.1 INSULATION: POLYETHERSULFONE
- 1.2 COUPLING NUT: (PLUG) BECU PER ASTM B 196, TIN PLATED PER MIL-T-10727, OVER NICKEL PER QQ-N-290
- 1.2.1 INTERFACIAL SEAL: SILICONE RUBBER
- 1.3 PANEL NUT: (JACK) BRASS ALLOY PER ASTM B16, TIN PLATED PER MIL-T-10727 OVER NICKEL PER QQ-N-290
- 1.4 WAVE WASHER: (JACK) BECU PER ASTM B194, TIN PLATED PER MIL-T-10727 OVER NICKEL PER QQ-N-290
- 1.5 SEALING WASHER: (JACK) SILICONE RUBBER (AMS 3304), STAINLESS STEEL PER MIL-S-5059, PASSIVATED PER QQ-P-35.
- 1.6 RESISTOR COVER: 300 SERIES STAINLESS STEEL PER ASTM A582, TIN PLATED PER MIL-T-10727, OVER NICKEL PER MIL-C-26074
- 1.7 LANYARD: CORROSION RESISTANT STEEL, TIN PLATED PER MIL-T-10727, OVER NICKEL PER QQ-N-290

2.0 PERFORMANCE CAPABILITIES

2.1 REFER TO RAYCHEM SPECIFICATION D-6025 (SUPERSEDES D-6050) AND D-6020 FOR PERFORMANCE AND QUALIFICATION REQUIREMENTS.

2.2 GENERAL CHARACTERISTICS.

- 2.2.1 OPERATING TEMPERATURE: -65°C TO 125°C
- 2.2.2 INSULATION RESISTANCE: GREATER THEN 5K MEG \*
- 2.2.3 DIELECTRIC STRENGTH: 900 VAC AT 60 Hz \*
- 2.2.4 POWER RATING: 1 WATT MAX.
- 2.2.5 TERMINATOR RESISTANCE: SEE RESISTANCE VALUES, SHEET 7 OF 7
- 2.2.6 SALT SPRAY CORROSION RESISTANCE: 500 HOURS



\* BETWEEN INNER COAXIAL CONTACT AND OUTER HOUSING

R = SEE SHEET 7 OF 7 FOR RESISTANCE VALUE ±2%

Raychem Databus  
**CUSTOMER DRAWING**

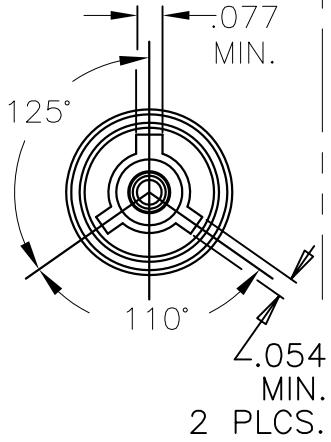


TE Connectivity

|                                       |        |        |            |      |                 |                   |     |
|---------------------------------------|--------|--------|------------|------|-----------------|-------------------|-----|
| CAD NAME:<br>D-621-0453_0484-Le_CD_F1 | DRAWN  | J.B.K. | 89 JULY 21 | SIZE | CODE IDENT. NO. | DWG. NO.          | REV |
|                                       | ISSUED |        |            | A    | 06090           | D-621-0453/0484-L | F1  |
| DO NOT SCALE THIS DRAWING             |        |        |            |      |                 | SHEET 5 OF 7      |     |

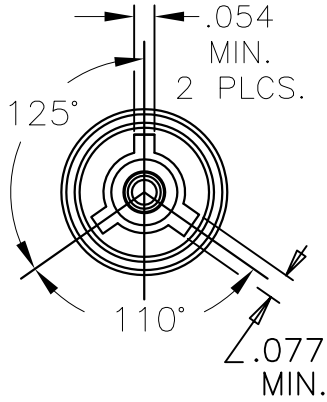


INTERFACE  
"A"  
PLUG



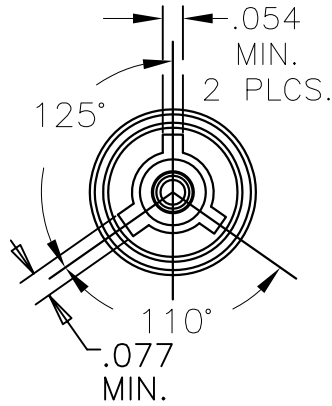
COLOR CODE: RED

INTERFACE  
"B"  
PLUG



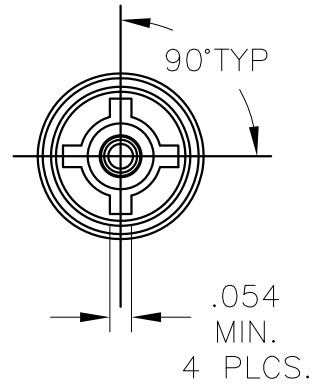
COLOR CODE: WHITE

INTERFACE  
"C"  
PLUG



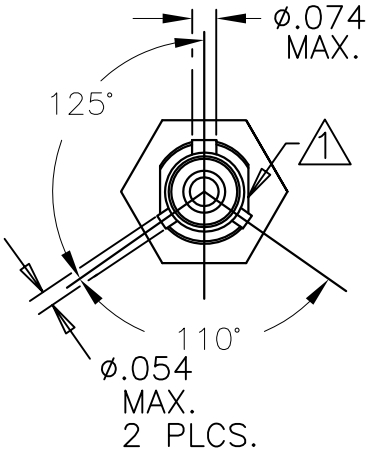
COLOR CODE: GREEN

INTERFACE  
"D"  
PLUG

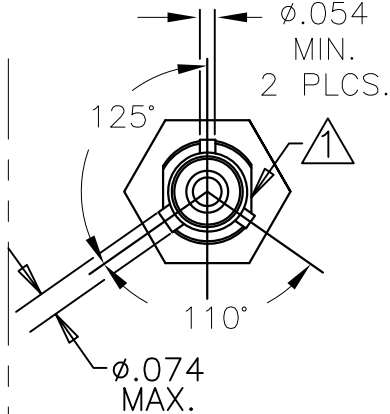


NO COLOR CODE

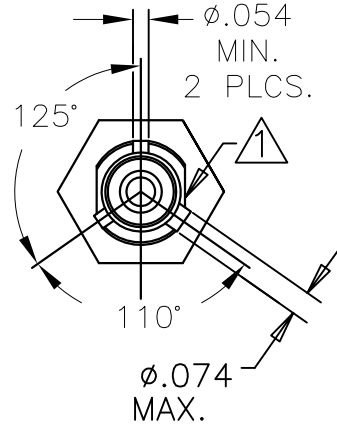
JACK



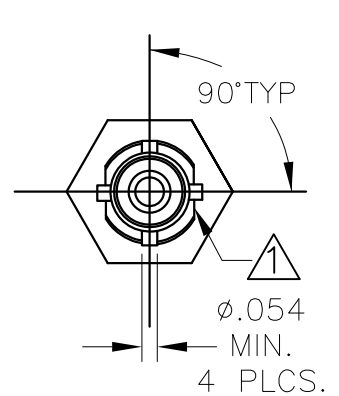
JACK



JACK



JACK



NOTES:

① MAJOR KEY ORIENTATION WITH RESPECT TO FLATS IS NOT CONTROLLED.

Raychem Databus  
CUSTOMER DRAWING



TE Connectivity

CAD NAME:

DRAWN

J.B.K.

89 JULY 21

SIZE  
A

CODE IDENT. NO.  
06090

DWG. NO.

D-621-0453/0484-L

REV

F1

D-621-0453\_0484-Lf\_CD\_F1

ISSUED

DO NOT SCALE THIS DRAWING

SHEET 6 OF 7

NOTES:

- △ SUFFIX -L INDICATES PARTS WITH LANYARD, SEE SHEETS 3 AND 4.  
 -L PARTS DO NOT HAVE USAF NUMBERS.

| DRAWING NO. △  | USAF DRAWING NO. △ | DESCRIPTION |           |                   | RESISTANCE VALUE ±2% |
|----------------|--------------------|-------------|-----------|-------------------|----------------------|
|                |                    | CONNECTOR   | INTERFACE | INSTALLED CONTACT |                      |
| D-621-0453(-L) | 8912009-00-05      | PLUG        | "A"       | PIN               | 78 OHMS              |
| D-621-0454(-L) | 8912009-00-06      | PLUG        | "B"       | PIN               | 78 OHMS              |
| D-621-0455(-L) | 8912009-00-07      | PLUG        | "C"       | PIN               | 78 OHMS              |
| D-621-0456(-L) | 8912009-00-08      | PLUG        | "D"       | PIN               | 78 OHMS              |
| D-621-0457(-L) | 8912009-00-01      | PLUG        | "A"       | PIN               | 3000 OHMS            |
| D-621-0458(-L) | 8912009-00-02      | PLUG        | "B"       | PIN               | 3000 OHMS            |
| D-621-0459(-L) | 8912009-00-03      | PLUG        | "C"       | PIN               | 3000 OHMS            |
| D-621-0460(-L) | 8912009-00-12      | PLUG        | "D"       | SOCKET            | 3000 OHMS            |
| D-621-0461(-L) | 8912010-00-13      | JACK        | "A"       | SOCKET            | 78 OHMS              |
| D-621-0462(-L) | 8912010-00-14      | JACK        | "B"       | SOCKET            | 78 OHMS              |
| D-621-0463(-L) | 8912010-00-15      | JACK        | "C"       | SOCKET            | 78 OHMS              |
| D-621-0464(-L) | 8912010-00-16      | JACK        | "D"       | SOCKET            | 78 OHMS              |
| D-621-0465(-L) | 8912010-00-09      | JACK        | "A"       | SOCKET            | 3000 OHMS            |
| D-621-0466(-L) | 8912010-00-10      | JACK        | "B"       | SOCKET            | 3000 OHMS            |
| D-621-0467(-L) | 8912009-00-11      | JACK        | "C"       | SOCKET            | 3000 OHMS            |
| D-621-0468(-L) | 8912009-00-12      | JACK        | "D"       | SOCKET            | 3000 OHMS            |
| D-621-0469(-L) | 8912009-00-13      | PLUG        | "A"       | SOCKET            | 78 OHMS              |
| D-621-0470(-L) | 8912009-00-14      | PLUG        | "B"       | SOCKET            | 78 OHMS              |
| D-621-0471(-L) | 8912009-00-15      | PLUG        | "C"       | SOCKET            | 78 OHMS              |
| D-621-0472(-L) | 8912009-00-16      | PLUG        | "D"       | SOCKET            | 78 OHMS              |
| D-621-0473(-L) | 8912009-00-09      | PLUG        | "A"       | SOCKET            | 3000 OHMS            |
| D-621-0474(-L) | 8912009-00-10      | PLUG        | "B"       | SOCKET            | 3000 OHMS            |
| D-621-0475(-L) | 8912009-00-11      | PLUG        | "C"       | SOCKET            | 3000 OHMS            |
| D-621-0476(-L) | 8912009-00-04      | PLUG        | "D"       | PIN               | 3000 OHMS            |
| D-621-0477(-L) | 8912009-00-05      | JACK        | "A"       | PIN               | 78 OHMS              |
| D-621-0478(-L) | 8912009-00-06      | JACK        | "B"       | PIN               | 78 OHMS              |
| D-621-0479(-L) | 8912009-00-07      | JACK        | "C"       | PIN               | 78 OHMS              |
| D-621-0480(-L) | 8912009-00-08      | JACK        | "D"       | PIN               | 78 OHMS              |
| D-621-0481(-L) | 8912009-00-01      | JACK        | "A"       | PIN               | 3000 OHMS            |
| D-621-0482(-L) | 8912009-00-02      | JACK        | "B"       | PIN               | 3000 OHMS            |
| D-621-0483(-L) | 8912009-00-03      | JACK        | "C"       | PIN               | 3000 OHMS            |
| D-621-0484(-L) | 8912009-00-04      | JACK        | "D"       | PIN               | 3000 OHMS            |

Raychem Databus  
**CUSTOMER DRAWING**



TE Connectivity

|                                       |        |        |           |                           |                          |                               |           |
|---------------------------------------|--------|--------|-----------|---------------------------|--------------------------|-------------------------------|-----------|
| CAD NAME:<br>D-621-0453_0484-Lg_CD_F1 | DRAWN  | J.B.K. | 89 AUG 25 | SIZE<br>A                 | CODE IDENT. NO.<br>06090 | DWG. NO.<br>D-621-0453/0484-L | REV<br>F1 |
|                                       | ISSUED |        |           | DO NOT SCALE THIS DRAWING |                          | SHEET 7 OF 7                  |           |

