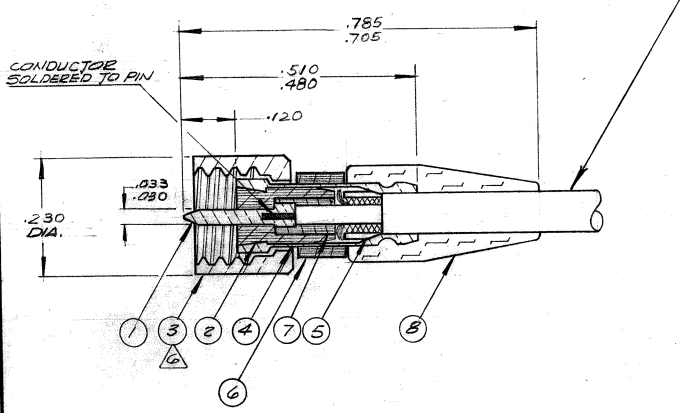


CODE 032-0023-0001 AA

CLASS 1

CABLE ACCEPTANCE DIMS.
 JACKET DIA. .287 MAX.
 SHIELD DIA. .081 MAX.
 DIELECTRIC DIA. .041 MAX.
 CENTER COND. DIA. .015 MAX.



Tyco Dwg 1466293
 Micro PIN 032-0023-0001

QTY	PART NO.	NOMENCLATURE	MAT'L & SPEC.	FINISH	ITEM
1	003-0270-0000	B.R. CAP (BLACK)	SILICONE RUBBER, ZZ-R-765		2
1	003-0153-0001	INSULATOR	TEFLON, PER L-P-403		7
1	003-0597-0001	PIN PROTECTOR	TEFLON, PER L-P-403		6
1	003-0163-0001	CLAMP RING	BRASS, PER QQ-B-626	A	5
1	003-0160-0001	FERRULE	BRASS, PER QQ-B-626	A	4
1	003-0029-0001	NUT	BRASS, PER QQ-B-626	A	3
1	003-0205-0001	INSULATOR	TEFLON, PER L-P-403		8
1	003-0360-0002	PIN	BRASS PER QQ-B-626	B	1

- 7. 032-0023-0001 SAME AS 032-0023-1
 - 6. MALE DIAMOND KNURL.
 - 5. GOLD PLATE PER MIL-G-4520A, TYPE II, GRADE C, CLASS I
 - 4. SILVER PLATE .0002 MIN. PER QQ-S-365, TYPE II, GRADE A.
 - 3. MALCO ASSEMBLY TOOL 010-0003-0000 REQ'D.
 - 2. FOR ASSY INST. SEE RF-ASMB-89.
 - 1. THIS CONNECTOR MATES WITH ALL S-50 JACKS & RECEPTACLES AS LISTED IN MALCO CATALOG.
- NOTES: UNLESS OTHERWISE SPECIFIED

ASSEMBLY	NO REQ'D	REVISION DESCRIPTION	BY	DATE	APP
AA	356	UPDATE REV. LETTER	BS	3/9	BS
Z	357	ITEM B, WAS 003-0031-0000	B	3/7	BS
Y	359	TOLERANCE CORRECTED .785, .785 WAS .780, .715, .120 DIA. WAS .240 DIA.	EW	1/16	EW
W	360	DRAWING DIMS. NOTES & MAT'L SPEC'S SPECIFIED	EW	1/16	EW
V	361	REV. LETTER UP-DATED	EW	1/16	EW
T	6073	COMPONENT NO UP-DATED	6K	3/62	6K
S	397	PREVIOUS PART NO. UPDATED	EJ	3/62	EJ
LET	ECO	REVISION DESCRIPTION	BY	DATE	APP

STANDARD TOLERANCES UNLESS OTHERWISE SPECIFIED
 DEC. # .010
 FRAC. # 1/32
 ANGLES #
 ECCENTRICITY
 MAX. T.I.R.
 HOLE DIA. #
 SURFACE ROUGHNESS MICRO INCHES
 THREADS TO MIL-S-7742
 COMMERCIAL TOLERANCES APPLY TO STOCK DIMENSIONS

MALCO
 A MICRODOT COMPANY, INC.
 220 PASADENA AVE., SO. PASADENA, CAL

SURFACE TREATMENT NOTED

MATERIAL NOTED

APP G.P.F.
 APP.
 CHECKED BY C.E.H.

PLUG

STRAIGHT S-50

PROD CODE 931
 SCALE 1:1
 DRAWING NUMBER 032-0023-0001
 DATE 9/18/54

CLASS 1