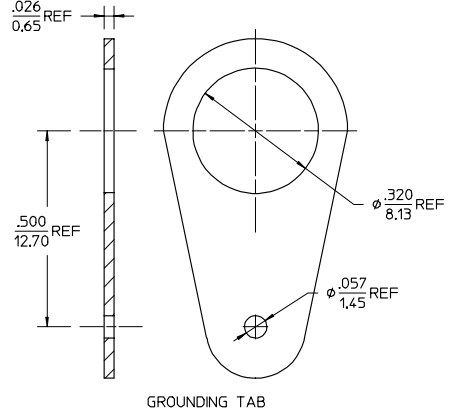
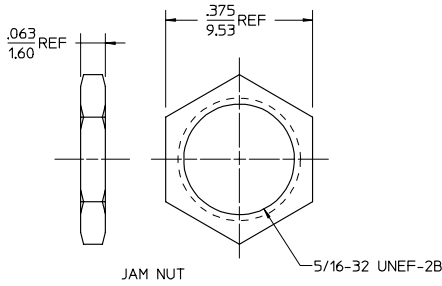
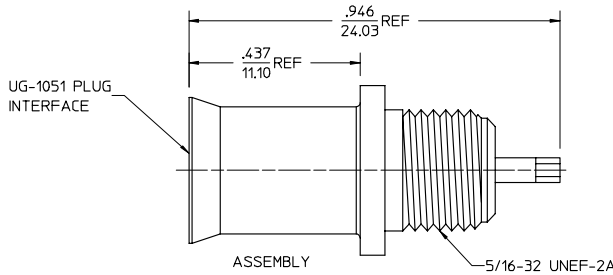


MATERIALS AND FINISHES

BODY, JAM NUT, GROUNDING TAB BRASS
 PLATED SILVER

CENTER CONTACT BERYLLIUM COPPER
 PLATED SILVER

INSULATOR TEFLON



PART # 73415-1610

CHG: NEW RELEASE	EC NO. URF-0831	CHG: XXXXX
DRWN: TEF 09/14/00	CHK: SSS 09/14/00	EC NO. URF-XXXX
APPR: GHM 09/14/00		DRWN: XXX 00/00/00
		CHK: XXX 00/00/00
		APPR: XXX 00/00/00

UNLESS OTHERWISE SPECIFIED DIMS ARE INCHES AND ANGLES ARE DEGREES.

1. $\sqrt{63}$ ALL OVER.
2. NO CHATTER OR NON-UNIFORM SURFACE FINISH ALLOWED.
3. PARTS TO BE FREE OF BURRS & SHARP EDGES .005 MAX BREAK.
4. EXTERNAL THREADS TO BE ROLLED OR SINGLE POINT.
5. DIAMETERS TO BE CONCENTRIC WITHIN .003 TIR.

QUALITY SYMBOLS

MAJOR

CRITICAL

GENERAL TOLERANCES: (UNLESS SPECIFIED)	
4 PLACES	±.0005
3 PLACES	±.005
2 PLACES	±.01
1 PLACE	±.1
ANGULAR: ±2°	
DRAFT WHERE APPLICABLE MUST REMAIN WITHIN DIMENSIONS	

SCALE	DESIGN UNITS
	<input type="checkbox"/> mm <input checked="" type="checkbox"/> INCH
DRAWN BY & DATE	
TEF 05/30/00	
CHECKED BY & DATE	
SSS 05/30/00	
APPROVED BY & DATE	
GHM 05/30/00	
CAD FILENAME	

DIMENSIONS:		1	A
<input type="checkbox"/> mm	<input checked="" type="checkbox"/> INCH	SHT	REV
<input type="checkbox"/> mm ONLY		REVISE ON CAD ONLY	
TITLE:			
UG-1051/U PLUG, SOLDER POT			
M-MC			
MOLEX INCORPORATED			
MATERIAL NO.	DRAWING NO.	SHEET NO.	
SEE NOTE	SD-73415-161	1 of 1	
THIS DRAWING CONTAINS INFORMATION THAT IS PROPRIETARY TO MOLEX INCORPORATED AND SHOULD NOT BE USED WITHOUT WRITTEN PERMISSION.			SIZE
			B