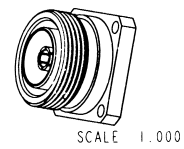
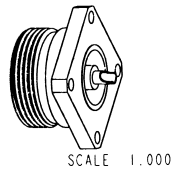
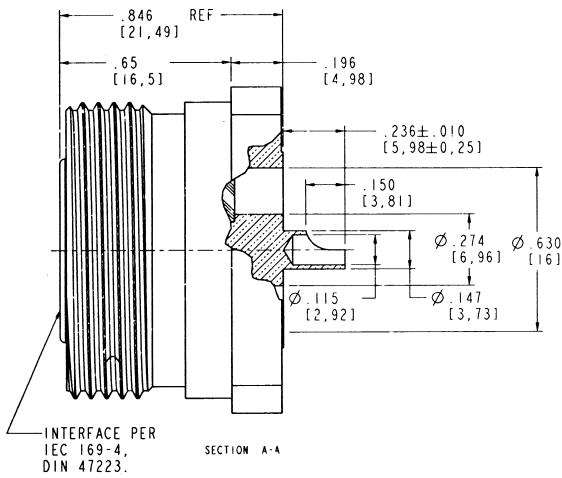
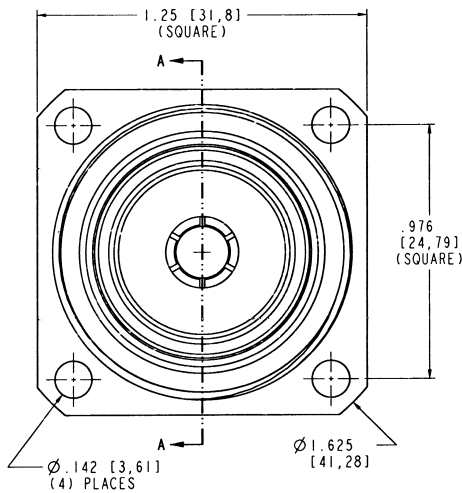


NOTES:  
 1. MATERIALS OF CONSTRUCTION  
 BODY - BRASS, WHITE BRONZE PLATING  
 CONTACT (ONE PIECE) - BeCu, SILVER PLATED  
 INSULATOR - PTFE  
 2. ELECTRICAL  
 A. VSWR (RETURN LOSS), MINIMUM  
 DC - 20Hz = 1.05 (32 dB)  
 B. THIRD ORDER INTERMODULATION DISTORTION, MAXIMUM  
 -120 dBm WITH 2 +43 dBm CARRIERS (-163 dBc)

716-24		REVISIONS			
DRAWING NO.	REV	DESCRIPTION	DATE	ECO	APPR
THIRD ANGLE PROJ.	A	OFFICIAL ENG. RELEASE TO MFG	1/18/95	4330	CRB



716-24-000	1	1	716 (F) RECEPTACLE	SEE S/A
PART NUMBER	QTY.	ITEM	DESCRIPTION	FINISH

UNLESS OTHERWISE SPECIFIED, DIMENSIONS ARE IN INCHES AND TOLERANCES ARE:  
 2 PLACE DECIMAL ± 0.15 (0.381 mm)  
 3 PLACE DECIMAL ± 0.05 (0.127 mm)  
 ANGLES ± 1°  
 NOTICE - These drawings, specifications, or other data (1) are, and remain the property of Amphenol Corp. (2) must be returned upon request, and (3) are confidential and not to be disclosed to any person other than those to whom they are given by Amphenol Corp. The furnishing of these drawings, specifications, or other data to Amphenol Corp., or to any other person in any manner for any purpose is not to be regarded by implication or otherwise in any manner, licensing, granting rights or permitting such holder or any other person to manufacture, use or sell any product, process or design, patented or otherwise, that may in any way be related to or disclosed by said drawings, specifications, or other data.

MATERIAL  
 REFERENCE  
 GENR ASSYF22.716  
 EAR 966519-3  
 MODEL# 716-24

DRAWN OWEN BARTHELME  
 ENGINEER OWEN BARTHELME  
 APPROVED [Signature]  
 DATE 11/19/94

TITLE  
 716 (F) PANEL MOUNT RECEPTACLE  
 CODE ID 74868  
 DWG SIZE B  
 DRAWING NO 716-24

Amphenol  
 Amphenol Corporation  
 Communication and Network  
 Products Division  
 Danbury, CT U.S.A. 06810  
 SCALE 3:0 SHEET 1 OF 1  
 REV A