

NOTES:

1. MATERIALS AND FINISHES:

- BODY - BRASS - TIN PLATED
- CONTACT - BeCu - BRIGHT TIN PLATED
- FERRULE - BRASS - TIN PLATED
- INSULATOR - POLYPROPYLENE

2. ELECTRICAL:

- A. IMPEDANCE = 75 OHMS, NOMINAL
- B. VSWR [RETURN LOSS] (DC-1.0 GHz) = 1.25 : 1 MAX. [19.1 dB]  
(1.0-1.5 GHz) = 2.0 : 1 MAX. [9.5 dB]
- C. INSERTION LOSS (DC-1.0 GHz) = 0.10 dB MAX.  
(1.0-1.5 GHz) = 0.55 dB MAX.
- D. DIELECTRIC WITHSTANDING VOLTAGE = 1500 VRMS
- E. INSULATION RESISTANCE = 500 MEGOHMS MIN.

3. PHYSICAL:

- A. OPERATING TEMPERATURE = -40°F TO +140°F (-40°C TO +60°C)
- B. CENTER CONTACT TO ACCEPT  $\phi$ .022 TO  $\phi$ .042 PIN [ $\phi$ 0.56 TO  $\phi$ 1.07]
- C. INTERFACE IS COMPATIBLE WITH SCTE IPS-SP-401 "F" PLUGS

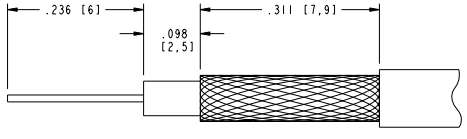
531-40078-1

DRAWING NO.

THIRD ANGLE PROJ.

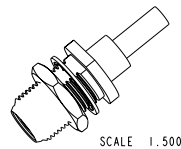
REVISIONS

REV	DESCRIPTION	DATE	ECO	APPR
A	RELEASE TO MFG	5/9/01	43761	CPM
B	SEE SHEET 1	6/20/05	45590	CPM

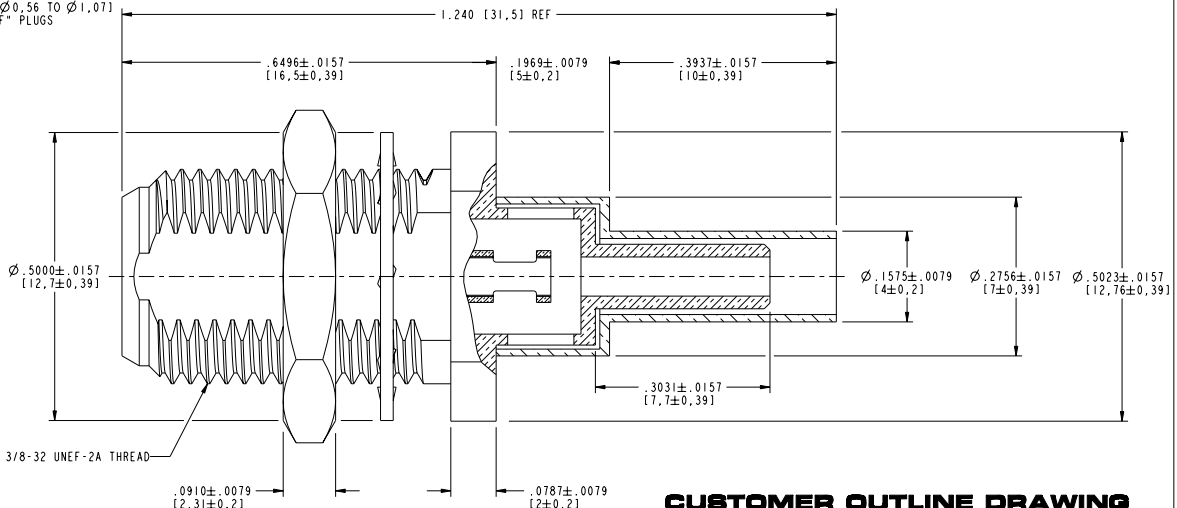
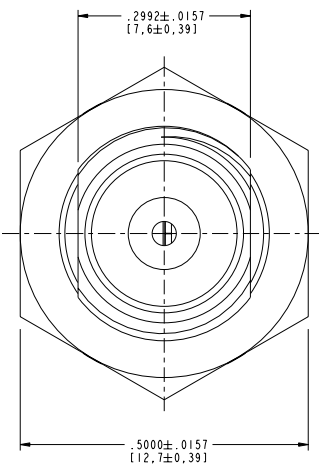


SCALE 6.000

RECOMMENDED CABLE STRIPPING DIMENSIONS



SCALE 1.500



**CUSTOMER OUTLINE DRAWING**  
ALL OTHER SHEETS ARE FOR INTERNAL USE ONLY

UNLESS OTHERWISE SPECIFIED, DIMENSIONS ARE IN INCHES AND TOLERANCES ARE: 2 PLACE DECIMAL      3 PLACE DECIMAL ±.015 (0.381 mm)      ±.005 (0.127 mm)	MATERIAL  REFERENCE EAR 967494-0 GEN# ASSYF10.F	DRAWN C. McGRATH	DATE 5/9/01	TITLE 'F' RECEPTACLE, CRIMP TYPE, STRAIGHT FOR RG-179, W/ HARDWARE	Amphenol RF Danbury, CT, USA Tainan, Taiwan Shenzhen, China www.amphenolrf.com		
		ENGINEER V. NGUYEN	DATE 5/9/01			APPROVED O. BARTHELME	DATE 5/9/01
NOTICE - These drawings, specifications, or other data (1) are, and remain the property of Amphenol Corp. (2) must be returned upon request; and (3) are confidential and not to be disclosed to any person other than those to whom they are given by Amphenol Corp. The furnishing of these drawings, specifications, or other data by Amphenol Corp., or to any other person for any purpose is not to be regarded by implication or otherwise in any manner licensing, granting rights or permitting such holder or any other person to manufacture, use or sell any product, process or design, patented or otherwise, that may in any way be related to or disclosed by said drawings, specifications, or other data.		CAD FILE I:\CATV\F&G\531-40078-1	CODE ID 74868	DWG SIZE B	DRAWING NO. 531-40078-1	SCALE: 6.0:1      SHEET 2 OF 2	REV B