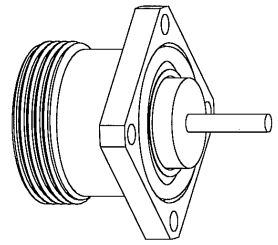
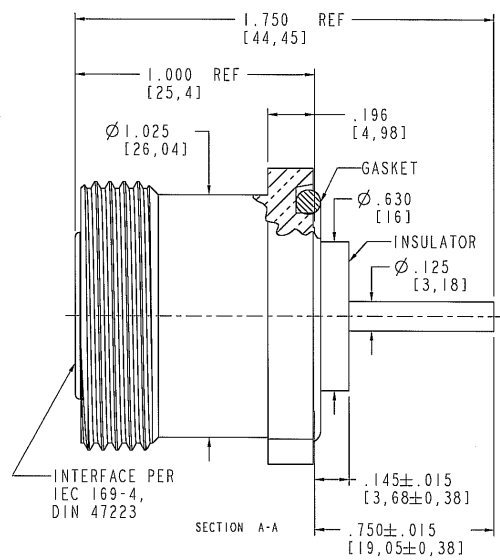
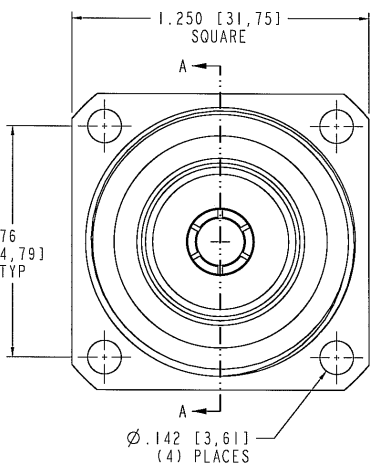


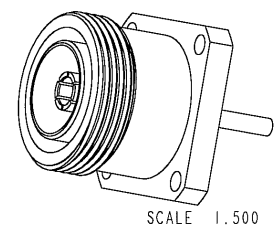
NOTES:

1. MATERIALS OF CONSTRUCTION
 BODY (ONE PIECE) - BRASS, WHITE BRONZE PLATING
 CONTACT (ONE PIECE) - BeCu, GOLD PLATED
 INSULATOR - PTFE
2. ELECTRICAL
 A. VSWR (RETURN LOSS), MAXIMUM
 DC - 2GHz: 1.05 (32 dB)
 B. THIRD ORDER INTERMODULATION DISTORTION, MAXIMUM
 -120 dBm WITH 2 +43 dBm CARRIERS (-163 dBc)
3. ENVIRONMENTAL
 A. INTERFACE SEALED PER IEC 529, IP68.

716-75		REVISIONS			
DRAWING NO.	REV	DESCRIPTION	DATE	ECO	APPR
THIRD ANGLE PROJ.	A	OFFICIAL ENG. RELEASE TO MFG.	2/17/94	42360	0793



SCALE 1.500



SCALE 1.500

CUSTOMER OUTLINE DRAWING
FOR REFERENCE ONLY

716-75-0001	1	1	716 (F) RECEPTACLE	SEE S/A
PART NUMBER	QTY.	ITEM	DESCRIPTION	FINISH

UNLESS OTHERWISE SPECIFIED, DIMENSIONS ARE IN INCHES AND TOLERANCES ARE: 2 PLACE DECIMAL 3 PLACE DECIMAL ANGLES $\pm .015$ (0,381 mm) $\pm .005$ (0,127 mm) $\pm 1^\circ$	MATERIAL REFERENCE P/N 716-75-0001 GEN ASSYF23_716 EARR 966848 SWEDCOM	DRAWN OWEN BARTHELME	DATE 18-Dec-97	TITLE 716 (F) RECEPTACLE	Amphenol Amphenol Corporation Communication and Network Products Division Danbury, CT U.S.A. 06810 SCALE: 2.5:1 SHEET 1 OF 1	
		ENGINEER OWEN BARTHELME	DATE 18-Dec-97			APPROVED
NOTICE - These drawings, specifications, or other data (1) are, and remain the property of Amphenol Corp. (2) must be returned upon request; and (3) are confidential and not to be disclosed to any person other than those to whom they are given by Amphenol Corp. The furnishing of these drawings, specifications, or other data by Amphenol Corp., or to any other person to anyone for any purpose is not to be regarded by implication or otherwise in any manner licensing, granting rights or permitting such holder or any other person to manufacture, use or sell any product, process or design, patented or otherwise, that may in any way be related to or disclosed by said drawings, specifications, or other data.		CAD FILE I:\716\716-75	CODE ID 74868	DWG SIZE B	DRAWING NO. 716-75	REV A