

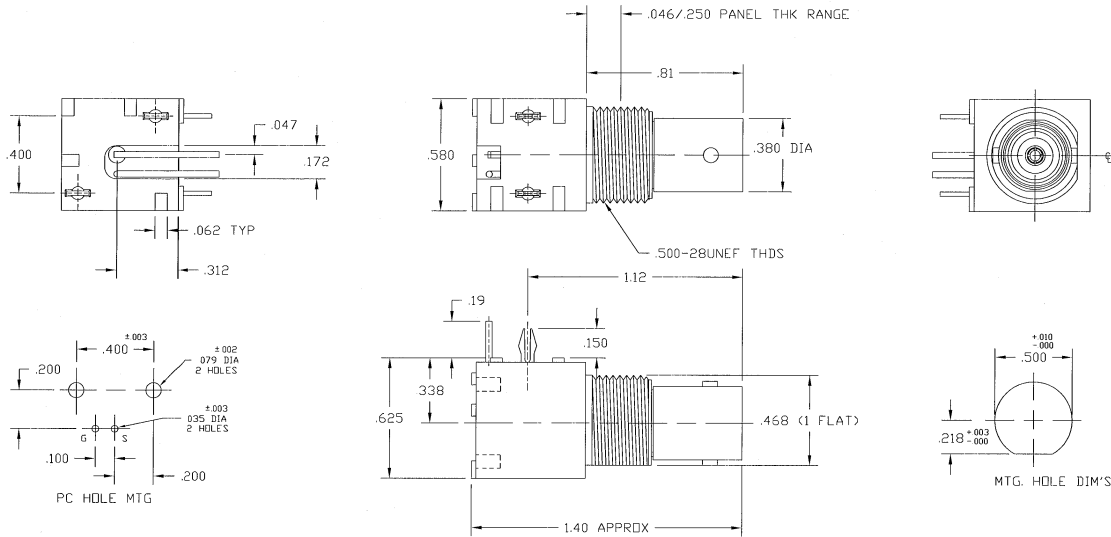
31-71046-1010

REVISIONS

REV	DESCRIPTION	DATE	ECO	APPR
A	OFFICIAL ENG. RELEASE TO MFG.	07/27/93	39646	PB/RV
B	SEE SHEET 1 FOR REVISIONS	4/30/96	40246	JM/DR
C	SEE SHEET 1 FOR REVISIONS	11/18/96	41637	CPM/
D	SEE SHEET 1 FOR REVISIONS	3/3/05	45392	CPM/

NOTES:

1. MATERIAL: OUTER INSULATOR CASING - BLACK VALOX
INSULATOR - WHITE NORYL
CENTER CONTACT - GOLD PLATED PHOSPHOR BRONZE
BODY - NICKEL PLATED ZINC CASTING
MOUNTING LEGS - TIN PLATED
TERMINALS - TIN PLATED COPPER WIRE
2. WHEN ASSEMBLING TO PANEL, MOUNTING HARDWARE (SEPARATELY SUPPLIED) MUST BE TIGHTENED TO 10 IN LBS. MIN., 15 IN LBS. MAX.
3. DO NOT SCALE THIS DRAWING.
4. UNLESS OTHERWISE SPECIFIED, ALL DIMENSIONS ARE AFTER PLATING.



CUSTOMER OUTLINE DRAWING

UNLESS OTHERWISE SPECIFIED, DIMENSIONS ARE IN INCHES AND TOLERANCES ARE:
2 PLACE DECIMAL ±.015 (0,381 mm)
3 PLACE DECIMAL ±.005 (0,127 mm)
ANGLES ± 1°

NOTICE - These drawings, specifications, or other data (1) are, and remain the property of Amphenol Corp. (2) must be returned upon request; and (3) are confidential and not to be disclosed to any person other than those to whom they are given by Amphenol Corp. The furnishing of these drawings, specifications, or other data by Amphenol Corp., or to any other person to anyone for any purpose is not to be regarded by implication or otherwise in any manner licensing, granting rights or permitting such holder or any other person to manufacture, use or sell any product, process or design, patented or otherwise, that may in any way be related to or disclosed by said drawings, specifications, or other data.

MATERIAL

REFERENCE
EAR 102-963820
RESCD

DRAWN

J. MULVEY
R. VACCARD
D. RODYCE

DATE

10-20-94
DATE
4/30/96

TITLE

BNC JACK, 75 OHM
RT/ANGLE MOUNT
PCB RECEPT (BLK)

Amphenol

Amphenol Corporation
RF/Microwave Operations
Danbury, Conn. U.S.A. 06810

SCALE: 2:1 SHEET 2 OF 2

CAD FILE H:\DEPT611\BNC\031\ASSY\71046\1010SH2.DWG	CODE ID 74868	DWG SIZE B	DRAWING NO. 31-71046-1010	ISSUE D
-------------------------------------------------------	------------------	---------------	------------------------------	------------