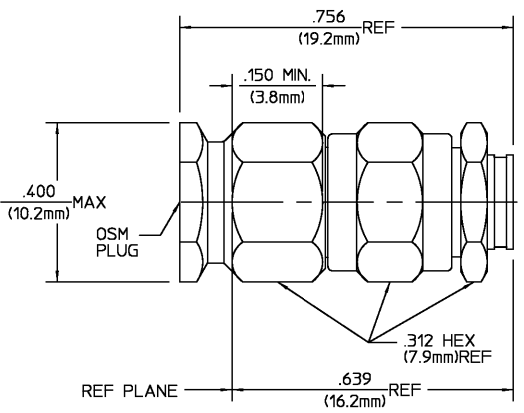


REVISIONS			
REV	DESCRIPTION	DATE	APPROVED
01 <sub>0</sub>	RELEASED		

2/22/89 *FBP*



HOUSING COUPLING NUT CLAMP NUT	STAINLESS STEEL PER ASTM-A484 AND ASTM- A582, TYPE 303	PASSIVATE PER QQ-P-35
DIELECTRIC	TFE FLUOROCARBON PER MIL-P-19468 AND FED SPEC L-P-403	N/A
CENTER CONTACT	BERYLLIUM COPPER PER QQ-C-530, ALLOY 173	GOLD PLATE PER MIL-G-45204 OVER COPPER PLATE PER MIL-C-14550
SLEEVE	BRASS PER QQ-B-626, COMP. 360	GOLD PLATE PER MIL-G-45204 OVER COPPER PLATE PER MIL-C-1 550
GASKET	SILICONE RUBBER PER ZZ-R-765	N/A
RETAINING RING	BERYLLIUM COPPER PER QQ-C-533	N/A

COMPONENT	MATERIAL	FINISH
-----------	----------	--------

- NOTES:
- DESIGNED FOR USE WITH .145 SEMI-RIGID CABLE
  - CAPTURED CENTER CONTACT

CABLE ENTRY DIAMETER MIN/MAX	UNLESS OTHERWISE SPECIFIED DIMENSIONS ARE IN INCHES
SLEEVE .145	TOLERANCE ON
CONTACT .041	FRAC. DEC. ANGLES
	+ 1/64 - .005 ± °

These drawings and specifications are the property of Geni Spectro Incorporated and shall not be reproduced or copied or used in whole or in part as the basis for the manufacture or sale of items without written permission.

DESIGNED BY: E. HOYLE 7/24/89  
 DRAWN BY: L. ROSS 2/10/89  
 APPROVED BY: *FBP* 2/22/89  
 USE ASSY PROCEDURE  
 408-04966  
 NO. A.P. (20-546)

**AMP** Incorporated  
 140 Fourth Avenue  
 Waltham, MA 02451-7599

TITLE: SMA STRAIGHT CABLE PLUG  
 SOLDER CLAMP ATTACHMENT  
 M39012/79-3008 CAT. E.

SIZE B	CODE IDENT NO. 26805	2001-8008-92	REV 01 <sub>0</sub>
SCALE 5:1			SHEET 1 OF 1

CUSTOMER DRAWING AMP PART # 1050783-1 SHEET 1 OF 1 REV A