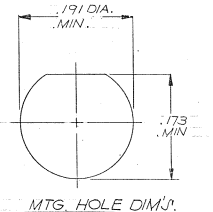
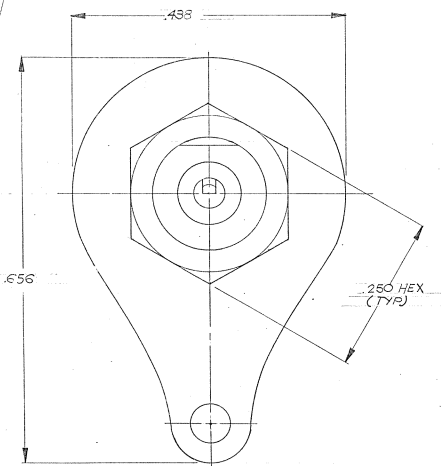
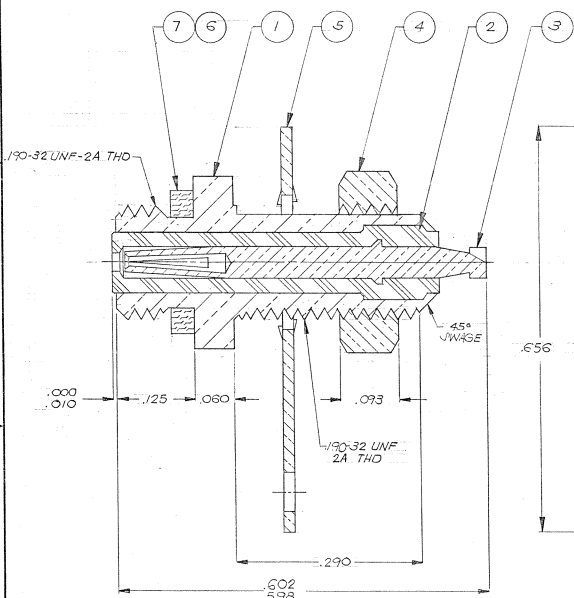


REVISIONS					
ZONE	LTR	ECN	DESCRIPTION	DATE	APPROVED
P		03902	REVISED & REDRAWN ORIG. RELEASE BY B.T. 0-23-55	8/12/74	RJ
R		35342	UPDATE REV. LETTER		

R1 LOAD CORRECT DRAWING



TYCO CUSTOMER DWG 1466288

- NOTES: UNLESS OTHERWISE SPECIFIED:
1. THIS CONN. MATES WITH ALL PLUGS IN SERIES J-50 AS LISTED IN MICRODOT CATALOG.
 2. SILVER PLATE .0002" MIN. PER QQ-S-365 TYPE II, GRADE A.
 3. GOLD PLATE PER MIL-G-45204 TYPE II, GRADE C, CLASS I.
 4. WORKING VOLTAGE - 750 V.R.M.S.
 5. INSULATION RESISTANCE - 5×10^9 OHMS MIN.
 6. PANEL THICKNESS: .160 MAX.

QTY	PART NUMBER	DESCRIPTION	MAT'L & SPECIFICATION	ITEM NO.
1	003-0268-0001	GASKET	SILICONE RUBBER PER ZZ-R-765, RED	7
1	003-0268-0000	GASKET	SILICONE RUBBER PER ZZ-R-765, BLK	6
1	003-0306-0001	SHAREPROOF LUG	# 425 BRONZE ALLOY	5
1	003-0009-0001	HEX NUT	BRASS PER QQ-B-626	4
1	003-1315-0002	SOCKET CONTACT	BERYLLIUM COPPER QQ-C-530	3
1	003-1316-0001	INSULATOR	TELEFON PER L-P-403	2
1	003-1317-0001	HOUSING	BRASS PER QQ-B-626	1
2	PART NUMBERS DESCRIPTIONS		MAT'L & SPECIFICATION	ITEM NO.

UNLESS OTHERWISE SPECIFIED DIMENSIONS ARE IN INCHES TOLERANCES ARE:		CONTRACT NO.		PARTS LIST	
FRACTIONS	DECIMALS	ANGLES			
$\pm .010$	$\pm .005$	$\pm 2^\circ$			
MATERIAL		APPROVALS	DATE	MALCO A MICRODOT COMPANY, INC. 220 PASADENA AVE., SO. PASADENA, CALIF. 91030	
NOTED		DRAWN C. TONGOO	7-27-84	BULKHEAD RECEPTACLE	
FINISH		CHECKED		PROD. CODE 731	
NOTED		PR. ENG. RJ	8/1/84	CODE CDM	
NEXT ASSY USED ON		APPD.		SIZE CODE IDENT NO. DRAWING NO.	
APPLICATION		DO NOT SCALE DRAWING		C 98278 031-0050-000 *	
				SCALE SHEET 1 OF 1	