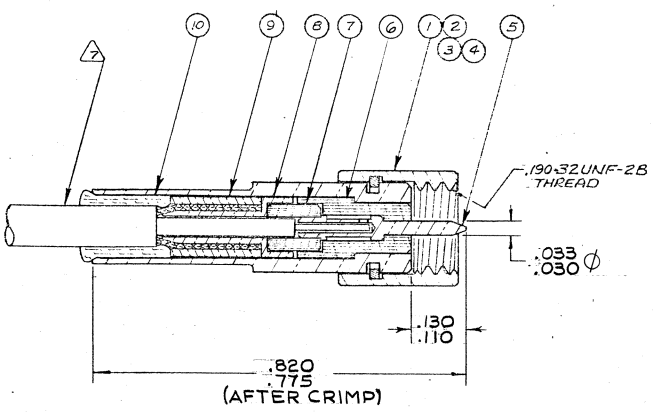


CDM 132-012-000* J



7. CABLE ACCOMMODATION DIMS:
 JACKET DIA. ----- .088 MAX.
 DIELECTRIC DIA. ----- .032-.042
 INNER CONDUCTOR DIA. --- .009-.019
 FOR USE WITH EXTRUDED OR WRAPPED JACKET.

6. FOR ELECTRICAL & MECHANICAL
 SPECS. SEE MALCO CATALOG.

5. .010 DIA. WIRE HOLE 3 PLACES

4. DELETED

3. GOLD PLATE PER MIL-G-45204 TYPE II, G.R.C., CL. I
 2. SEE RF-ASMB-8 ASSY INSTRUCTIONS. SPECIAL TOOL REQ'D.
 CONTACT CRIMP: 010-0134-0000 & LOCATOR 001-0104-0000.
 ALTERNATE TOOL 010-0065-0000 (NO LOCATOR REQUIRED)
 HOUSING CRIMP: 010-0081-0000.
 1. THIS CONNECTOR MATES WITH ALL 50Ω
 GOLDEN CRIMP, CRIMP SILVER & ALL S-50 JACKS &
 RECEPTACLES AS LISTED IN MICRODOT CATALOG.

NOTES: UNLESS OTHERWISE SPECIFIED

TYCO CUSTOMER
 DWG 7-1532149-6

QTY	UNIT	DESCRIPTION	MATERIAL	ITEM	
		DELETED		(11)	
1	1	003-0815-0001 SEALING SLEEVE	SILICONE RUBBER MIL-R-5847	(10)	
3	1	003-0813-0002 MIDDLE SLEEVE	LEADED COPPER	(9)	
3	1	003-0814-0002 INNER SLEEVE	BRASS, PP-B-626	(8)	
1	1	003-0811-0001 CABLE INSULATOR	TEFLON PER L-P-403	(7)	
1	1	003-1301-0001 BODY INSULATOR	TEFLON PER L-P-403	(6)	
5	1	003-0807-0002 PIN CONTACT	COPPER ALLOY	(5)	
3	1	003-1299-0004 HOUSING SUB-ASSY NUT-1/4" HEX W/WIRE HOLES		(4)	
3	1	003-1299-0003 HOUSING SUB-ASSY NUT-1/4" HEX		(3)	
3	1	003-1299-0002 HOUSING SUB-ASSY NUT-1/4" KNUURL		(2)	
3	1	003-1299-0001 HOUSING SUB-ASSY NUT-1/4" PARTIAL HEX		(1)	
4	3	2	1	COMPONENT	
		NOMENCLATURE		MAT'L & SPEC.	ITEM

UNLESS OTHERWISE SPECIFIED TOLERANCES: FRACTIONS DECIMALS .125 .250 .375 .500 .625 .750 .875 .999 .9999 .99999 ANGLES OF ROUNDNESS .001 .002 .003 .004 .005 .006 .007 .008 .009 .010 .012 .015 .020 .025 .030 .035 .040 .045 .050 .055 .060 .065 .070 .075 .080 .085 .090 .095 .100 .110 .120 .130 .140 .150 .160 .170 .180 .190 .200 .210 .220 .230 .240 .250 .260 .270 .280 .290 .300 .310 .320 .330 .340 .350 .360 .370 .380 .390 .400 .410 .420 .430 .440 .450 .460 .470 .480 .490 .500 .510 .520 .530 .540 .550 .560 .570 .580 .590 .600 .610 .620 .630 .640 .650 .660 .670 .680 .690 .700 .710 .720 .730 .740 .750 .760 .770 .780 .790 .800 .810 .820 .830 .840 .850 .860 .870 .880 .890 .900 .910 .920 .930 .940 .950 .960 .970 .980 .990 .995 .999 .9999 .99999 HOLE DIA. ± SURFACE FINISHES SURFACE HOLES TOLERANCES TO MIL-S-710 COMMERCIAL TOLERANCES APPLY TO STOCK DIMENSIONS		MALCO A MICRODOT COMPANY, INC. 220 PASADENA AVE., SO. PASADENA, CALIF	
SURFACE TREATMENT NOTED		MATERIAL NOTED	
PLUG ASSEMBLY NON-ENVIRONMENTAL GOLDEN CRIMP 50Ω		PROD CODE 941 CODE CDM 132-012-000* J	
APPROVED BY: J DATE: 1/22/65 DESCRIPTION: UPDATED REV. LETTER		DRAWN BY: VM SCALE: 1:1 DATE: 4/22/65 DRAWING NUMBER: CDM 132-012-000* J	