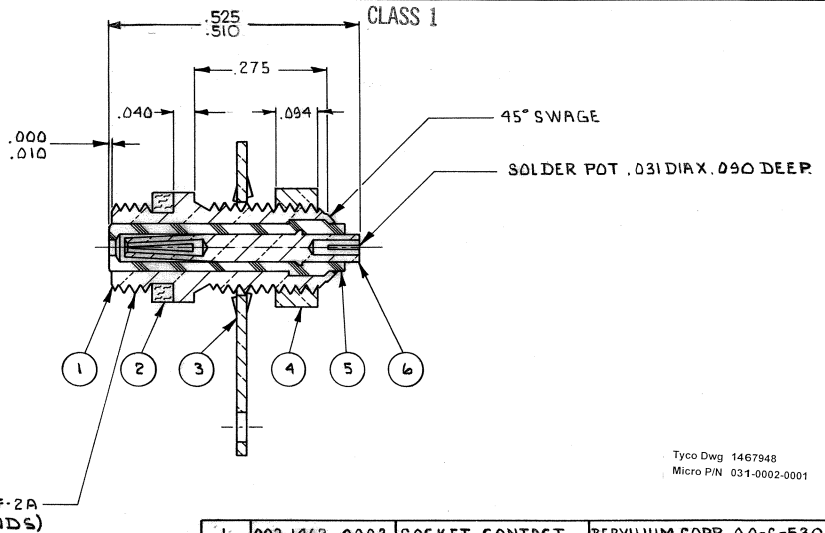
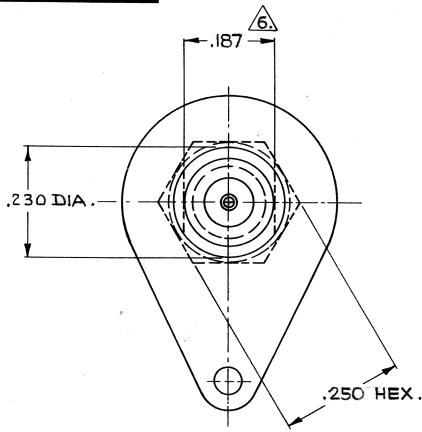


These drawings and specifications are the property of Microdot Inc. and shall not be divulged, reproduced or copied, or used as the basis for the manufacture or sale of any article without written permission of Microdot Inc.

031-0002-0001 N



Tyco Dwg 1467948  
Micro PIN 031-0002-0001

.190-32 UNF-2A  
(BOTH ENDS)

REQD	PART NO	NOMENCLATURE	MAT'L # SPEC.	FINISH	ITEM
1	003-1462-0002	SOCKET CONTACT	BERYLLIUM COPP QQ-C-530	△	6
1	003-1460-0001	INSULATOR	TEFLON, L-P-403		5
1	003-0009-0001	HEX NUT	BRASS PER QQ-B-626	△	4
1	003-0306-0001	SHAKEPROOF LUG	#425 BRONZE ALLOY	△	3
1	003-0011-0001	GASKET	NEOPRENE MIL-R-3065		2
1	003-1459-0001	HOUSING	BRASS PER QQ-B-626	△	1

△ WRENCH FLAT.

△ GOLD PLATE PER MIL-G-45204, TYPE II, CL. I.

△ SILVER PLATE .0002-.0004, PER QQ-S-365, TYPE II, GRADE A.

3 INSULATION RESISTANCE  $5.0 \times 10^3$  MEGOHMS MIN.

2 WORKING VOLTAGE -750 VOLTS RMS.

1 THIS RECEPTACLE MATES WITH ALL PLUGS IN SERIES S-50 AS LISTED IN MALCO CATALOG.

NOTES: UNLESS OTHERWISE SPECIFIED

STANDARD TOLERANCES UNLESS OTHERWISE SPECIFIED		<b>MALCO</b> A MICRODOT COMPANY, INC. 220 PASADENA AVE., SO. PASADENA, CAL	
DEC. ± .010 FRAC. ± ANGLES ± ECCENTRICITY MAX. T.I.R. HOLE DIA. ± SURFACE ROUGHNESS MICRO INCHES THREADS TO MIL-S-7742 COMMERCIAL TOLERANCES APPLY TO STOCK DIMENSIONS		SURFACE TREATMENT NOTED	
MATERIAL NOTED		APP APP CHECKED BY DRAWN BY SCALE WT DATE 931 5x 10-6-53	
ASSEMBLY NO REVD K 7/86		BULK HEAD RECEPT.	
NEXT ASSEMBLIES LET ECO		REVISION DESCRIPTION BY DATE APP	
N REV. UPDATE 38545 HG 2/1 88 M 28910 ITEM 3 MAT'L WAS: PHOSPHOR BRONZE QQ-P-330; ITEM 5 MAT'L WAS: TEFLON, MIL-M-14077; UPDATE L 16/86 REV. LETTER UP-DATED		CODE DRAWING NUMBER CDM 031-0002-0001 N	

DIETRICH-POST CLEARPRINT 1000H

CLASS 1