

MATERIALS AND FINISHES

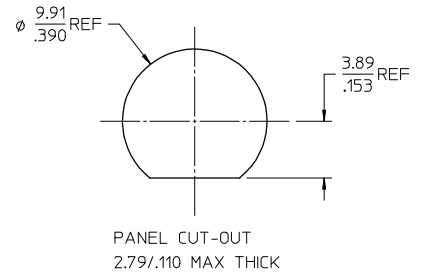
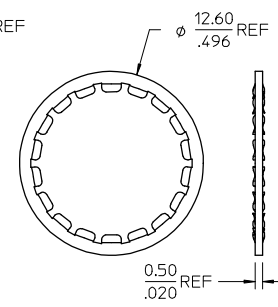
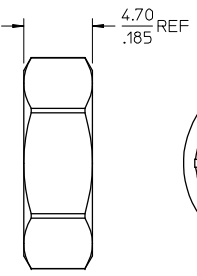
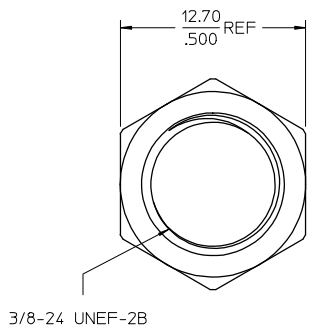
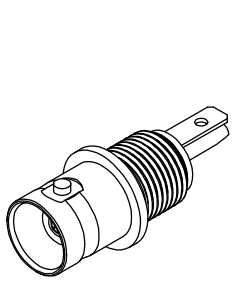
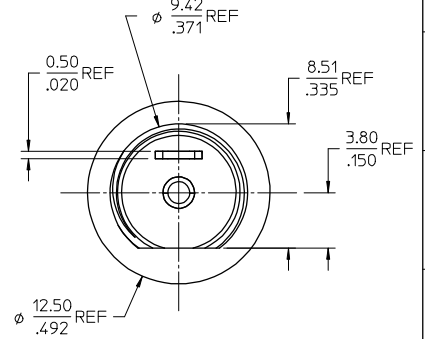
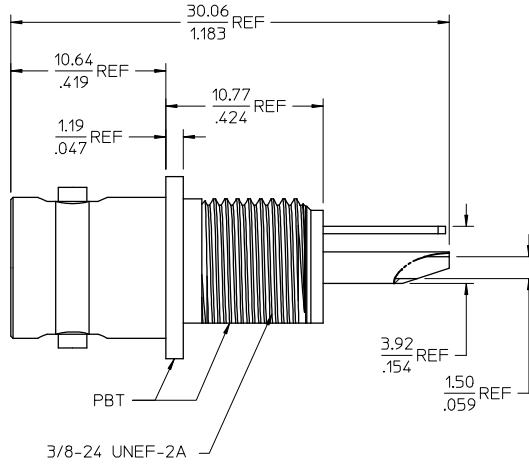
BODY, JAM NUT: BRASS  
PLATED NICKEL

INSULATOR/FLANGE/THREADS: PBT (WHITE)

CONTACT: PHOSPHOR BRONZE  
PLATED SILVER

LOCK WASHER: PHOSPHOR BRONZE  
PLATED NICKEL

GROUND: BRASS  
PLATED SILVER



PART # 73115-5001

ES-73599-0000	INTERFACE
PS-73598-0019	ELEC/MECH PERFORMANCE
SPECIFICATION	DESCRIPTION

CHG: REDREW IN SD AND LOADED INTO WM.  
EC NO: URF2008-0401  
DRAWN: ROBERTSON 2008/02/04  
CHKD: SSPAH 2008/02/04  
APPR: JWIENER 2008/02/04

QUALITY SYMBOLS	DESCRIPTION
	=0
	=0

GENERAL TOLERANCES (UNLESS SPECIFIED)		
	mm	INCH
4 PLACES	+ .005	+ .0005
3 PLACES	+ .003	+ .0003
2 PLACES	+ .002	+ .0002
1 PLACE	+ .001	+ .0001
ANGULAR ± 2°		
DRAFT WHERE APPLICABLE MUST REMAIN WITHIN DIMENSIONS		

DIMENSION STYLE	
MM/IN	
DRAWN BY	DATE
LILY	1992/01/16
CHECKED BY	DATE
V WANG	1995/10/14
APPROVED BY	DATE
R FIELDS	1995/10/23
MATERIAL NO.	731155001

SCALE	DESIGN UNITS	THIRD ANGLE PROJECTION
	METRIC	
TITLE		
BNC JACK 50 OHM BULKHEAD RECEPTACLE BNC-JR, EWR-3536		
MOLEX INCORPORATED		
DOCUMENT NO.	SD-73115-5001	SHEET NO.
		1 OF 1