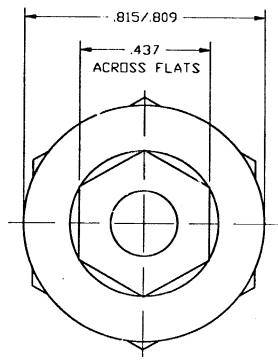
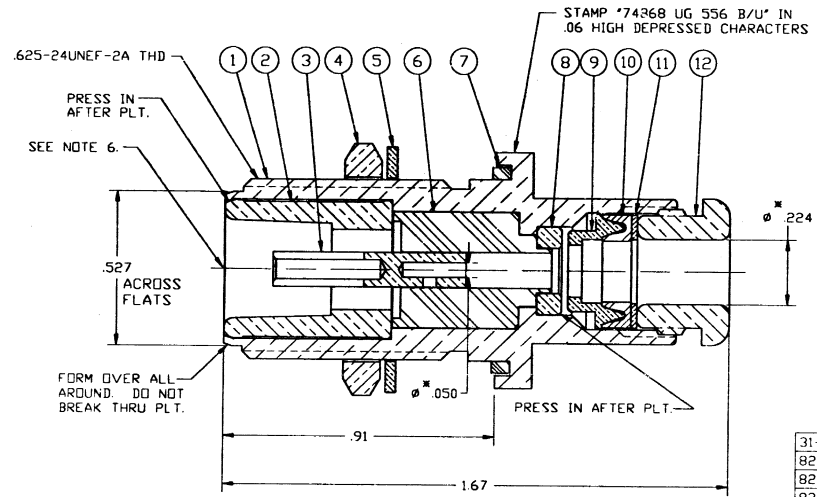
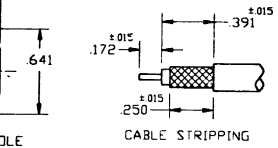


THIS DRAWING MUST CONFORM TO AMPHENOL SPEC. 349-50566. CONTACT IS SILVER PLATED, OTHER METAL PARTS ARE ASTROPLATED (REF). WITH CABLE ROSS, 58, 141, 142 & 223. ITEMS 3, 4, 5, 7, 9, 10, 11 & 12 WILL BE PACKAGED LOOSE. THIS DRAWING CONFORMS TO AMPHENOL SPEC. 349-50551, SEC. 911. OMIT REFERENCE TO CONTACT. RISK (R) INDICATES CABLE ENTRY DIM'S. SCALE THIS CONNECTOR IN BAG 999-226. NOT SCALE THIS DRAWING. UNLESS OTHERWISE SPECIFIED, ALL DIMENSIONS ARE AFTER PLATING.

35275		REVISIONS			
DRAWING NO.	REV	DESCRIPTION	DATE	ECO	APPR
THIRD ANGLE PROJ.	A	OFFICIAL ENG. RELEASE TO MFG.	8/2/60	1049	FM
	N	REDRAWN WAS 'C' SIZE; ADD NOTES 9 & 10; ADD ITEMS 4, 5, & 7 TO NOTE 5; UPDATED PLATE CODES	11/18/96	ALCAA	CPM/DR



PART NUMBER	QTY	ITEM	DESCRIPTION	FINISH
31-1428-1NA	1	12	CLAMP NUT	NOTE 1
82-946-28NA	1	11	CLAMP WASHER	NOTE 1
82-1536-5	1	10	CLAMP GASKET	
82-1551-9NA	1	9	BRAID CLAMP	NOTE 1
31-2175-2NA	1	8	CLAMP BUSHING	NOTE 1
82-1535-16	1	7	GASKET	
35278-1	1	6	INSULATOR	
35281-PA	1	5	LOCK WASHER	NOTE 1
82-1254-NA	1	4	HEX NUT	NOTE 1
35279-SA	1	3	CONTACT	NOTE 1
82-718-NA	1	2	BUSHING	NOTE 1
82-11291-NA	1	1	BODY	NOTE 1



UNLESS SPECIFIED, DIMENSIONS ARE IN INCHES AND TOLERANCES ARE: DIMENSIONS IN INCHES: .005 (0.127 mm) UNLESS OTHERWISE SPECIFIED; DIMENSIONS IN MILLIMETERS: .005 (0.127 mm) UNLESS OTHERWISE SPECIFIED. DIMENSIONS ARE IN INCHES AND TOLERANCES ARE: DIMENSIONS IN INCHES: .005 (0.127 mm) UNLESS OTHERWISE SPECIFIED; DIMENSIONS IN MILLIMETERS: .005 (0.127 mm) UNLESS OTHERWISE SPECIFIED.

MATERIAL	DRAWN	DATE	TITLE
REFERENCE	T. ALBERA	9/7/89	TYPE 'N'
RE: B 49378-B	ENGINEER	DATE	BULLET HEAD JACK
	D. ROYCE	9/20/89	UG-556B/U
	APPROVED	DATE	
	D. ROYCE	9/20/89	
	CAD FILE		
	H:\DEPT611\N\000\ASSY\35275		

Amphenol		SCALE: 3:1	SHEET	OF
Amphenol Corporation				
RF/Microwave Operations				
Danbury, Conn. U.S.A. 06810				
CODE ID	DWG SIZE	DRAWING NO.	REV	
74868	B	35275	N	