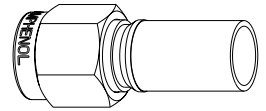


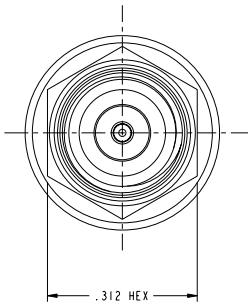
NOTES:

- MATERIAL AND FINISH:
 BODY AND COUPLING NUT - STAINLESS STEEL, PASSIVATED.
 CONTACT - BERYLLIUM COPPER, GOLD PLATED.
 FERRULE - ANNEALED COPPER, NICKEL PLATED.
 INSULATOR - PTFE.
- FOR CABLE STRIPPING AND ASSEMBLY INSTRUCTIONS
 SEE 349-50180, SHT 15. USE CRIMP TOOL 227-944
 WITH DIE SET 227-1221-11, CAVITY "A" (M22520/5-11
 CLOSURE "A") .213 HEX.
- DO NOT SCALE THIS DRAWING.

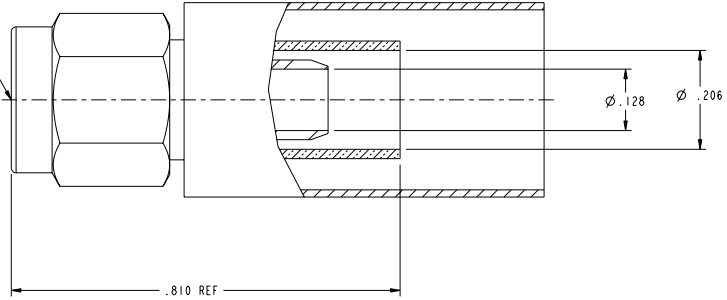
901-10012		REVISIONS			
DRAWING NO.	REV	DESCRIPTION	DATE	ECO	APPR
THIRD ANGLE PROJ.	A	OFFICAL ENG. RELEASE TO MFG.	3/11/99	42851	PB/



SCALE 3.000



INTERFACE PER
 MIL-STD-348
 SMA SERIES
 FIGURE 310-1



CUSTOMER OUTLINE DRAWING
 ALL OTHER SHEETS ARE FOR INTERNAL USE ONLY

UNLESS OTHERWISE SPECIFIED, DIMENSIONS ARE IN INCHES AND TOLERANCES ARE: 2 PLACE DECIMAL 3 PLACE DECIMAL ANGLES $\pm .015$ (0,381 mm) $\pm .005$ (0,127 mm) $\pm 1^\circ$	MATERIAL	DRAWN	DATE	TITLE	Amphenol Amphenol Corporation Communication and Network Products Division Danbury, CT U.S.A. 06810 SCALE: 5.0:1 SHEET 1 OF 1	
	NOTICE - These drawings, specifications, or other data (1) are, and remain the property of Amphenol Corp. (2) must be returned upon request; and (3) are confidential and not to be disclosed to any person other than those to whom they are given by Amphenol Corp. The furnishing of these drawings, specifications, or other data by Amphenol Corp., or to any other person for any purpose is not to be regarded by implication or otherwise in any manner licensing, granting rights or permitting such holder or any other person to manufacture, use or sell any product, process or design, patented or otherwise, that may in any way be related to or disclosed by said drawings, specifications, or other data.	REFERENCE EARN 966783 1 GEN# ASSYM3-SMA 615X-1474-0001	P. BRENZEL P. BRENZEL T. AUBIN	26 FEB 99 26 FEB 99 3/9/99		SMA STR. PLUG LMR 200 CABLE
		CAD FILE	CODE ID	DWG SIZE	DRAWING NO.	REV
		1:\SMA\901-10012	74868	B	901-10012	A