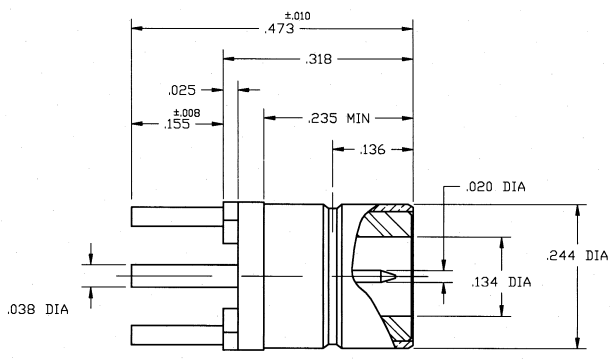
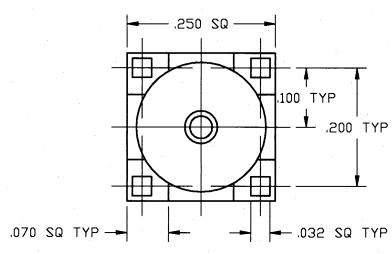


DO NOT SCALE THIS DRAWING.
 PLATING MUST CONFORM TO AMPHENOL SPEC 349-50560. CONNECTOR
 IS GOLD PLATED. (REF)

| 903-523J-71P | | REVISIONS | | | |
|-------------------|-----|-------------------------------|---------|-------|-----|
| DRAWING NO. | REV | DESCRIPTION | DATE | ECO | APP |
| THIRD ANGLE PROJ. | A | OFFICIAL ENG. RELEASE TO MFG. | 9/19/95 | 40912 | PB |



CUSTOMER DRAWING

UNLESS OTHERWISE SPECIFIED, DIMENSIONS ARE IN INCHES AND TOLERANCES ARE:
 1 PLACE DECIMAL ±.015 (0,381 mm) 3 PLACE DECIMAL ±.005 (0,127 mm) ANGLES ± 1°
 - These drawings, specifications, or other data (1) are, and remain the property of Amphenol Corp. (2) must be returned upon request; and (3) are confidential and not to be disclosed to any person other than those to whom they are furnished by Amphenol Corp. The furnishing of these drawings, specifications, or other data by Amphenol Corp., or to any other person for any purpose is not to be regarded by implication or otherwise in any manner licensing, granting, or authorizing any right or authority to manufacture, use or sell any product, process or design, patented or otherwise, that may in any way be related to or derived from said drawings, specifications, or other data.

| | | | | | | | |
|-----------|----------------|-------------------------------|-------------|--|------------|--------------|--------------|
| MATERIAL | DRAWN | DATE | TITLE | Amphenol Amphenol Corporation RF/Microwave Operations Danbury, Conn. U.S.A. 06810 | SCALE: 6:1 | SHEET 2 OF 2 | ISSUE |
| | P. BRENZEL | 8-23-95 | | | | | |
| REFERENCE | ENGINEER | DATE | DRAWING NO. | 74868 | DWG SIZE | B | 903-523J-71P |
| | EAR 107-964513 | APPROVED | | | | | |
| | CAD FILE | H:\PETE\SMB\903\ASSY\523J71PC | | | | | |