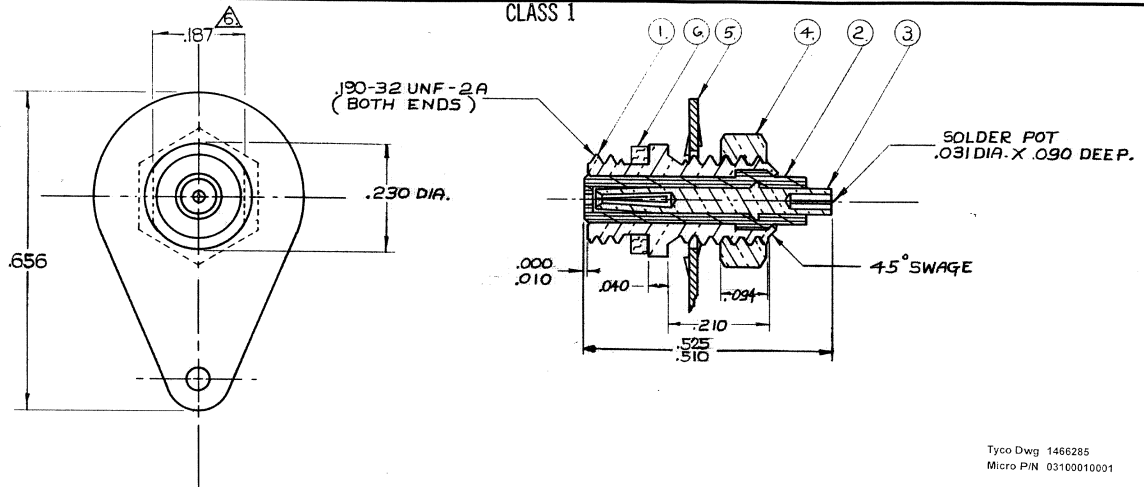


CODE C.D.M. 031-0001-0001 U



Tyco Dwg 1466285
Micro P/N 03100010001

QTY.	PART NO.	NOMENCLATURE	MAT. & SPEC.	FINISH	ITEM
1	003-0268-0000	GASKET	SILICONE RUBBER		⑥
1	003-0306-0001	SHAKPROOF LUG	#425 BRONZE ALLOY	△	⑤
1	003-0009-0001	HEX NUT	BRASS, QQ-B-626	△	④
1	003-1378-0002	SOCKET CONTACT	COPPER ALLOY	△	③
1	003-1379-0001	INSULATOR	TEFLON, L-P-403		②
1	003-1390-0001	HOUSING	BRASS, QQ-B-626	△	①

- △ WRENCH FLAT.
- △ GOLD PLATE PER MIL-Q-45204, TYPE II, CLASS 1.
- △ SILVER PLATE .0002-.0004 PER QQ-S-365, TYPE II, GRADE A.
- 3. INSULATION RESISTANCE 5.0×10^3 MEGOHMS MIN.
- 2. WORKING VOLTAGE - 750 VOLTS RMS.
- 1. THIS RECEPTACLE MATES WITH ALL PLUGS IN SERIES S-50 AS LISTED IN MALCO CATALOG.

NOTES: UNLESS OTHERWISE SPECIFIED

STANDARD TOLERANCES UNLESS OTHERWISE SPECIFIED DEC. # .010 FRAC. # ANGLES # ECCENTRICITY # MAX. TLR. # HOLE DIA. ± # SURFACE ROUGHNESS # MICRO INCHES		MALCO A MICRODOT COMPANY, INC. 220 PASADENA AVE., SO. PASADENA, CAL	
U UPDATE REV. LETTER. (39388) JL 7/30/53		MATERIAL NOTED	
T 2830 ITEM 5 MAT'L WAS: PHOSPHOR BRONZE, QQ-P-330; ITEM 2 MAT'L WAS: TEFLON, MIL-M-14077; UPDATE OTHER INFO LM 8/1/53		SURFACE TREATMENT NOTED	
S 640 REV. LETTER UPDATED 8/1/53		APP G.P.F.	
R 700 REDESIGNED & REDRAWN J.N. 7/13/53		CHECKED BY	
LET ECO REVISION DESCRIPTION BY DATE APP		DRAWN BY E.S. (J.N.)	
ASSEMBLY NO REG'D		P. Rev. 931	
NEXT ASSEMBLIES		SCALE 5X	
BULKHEAD RECEPTACLE 50.0		WT DATE 12/4/53	
CODE C.D.M.		DRAWING NUMBER 031-0001-0001 U	

DIETERICH-POST CLEARPRINT 1000H

PI ACC 1