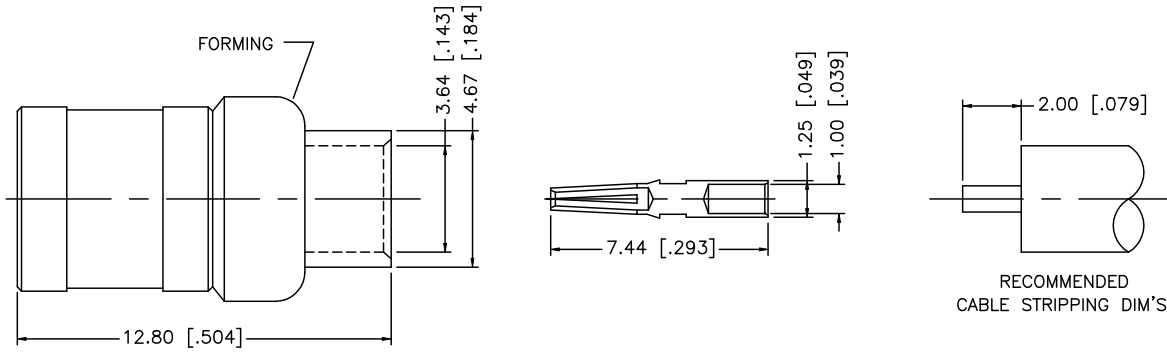


REV.	DATE	DESCRIPTION
NC	01/13/03	INITIAL RELEASE



NOTE:
1. CONTACT PIN TO SOLDER

8					<small>UNLESS OTHERWISE SPECIFIED DIMENSIONS ARE IN MILLIMETERS. DIMENSIONS IN [] ARE IN INCHES AND FOR CUSTOMER REFERENCE ONLY.</small> <small>UNLESS OTHERWISE SPECIFIED TOLERANCES FOR MILLIMETERS ARE:</small> 0.5 - 8mm ± 0.20mm 8 - 30mm ± 0.40mm 30 - 120mm ± 0.50mm <small>UNLESS OTHERWISE SPECIFIED TOLERANCES FOR INCHES ARE:</small> .020 - .315 = ± 0.007" .315 - 1.180 = ± 0.015" 1.180 - 4.724 = ± 0.020"	APPROVALS	DATE	<h1 style="color: blue;">Amphenol Connex</h1>		
7				DRAWN		G.R.S.	01/13/03		<small>PART DESCRIPTION</small> SMB DIRECT SOLDER PLUG (FOR .141" SEMI RIGID CABLE)	
6				CHECKED						
5				ISSUED						
4					SHEET	1 OF 1		<small>PART NO.</small> 142321		
3	CONTACT PIN	BER. COPPER	GOLD	1	CAD FILE	C:/142/142321.DWG	<small>DWG. NO.</small> 142321.DWG		<small>REV.</small> NC	<small>SIZE</small> A
2	INSULATOR	TEFLON	NATURAL	1						
1	BODY	BRASS	GOLD	1						
	DESCRIPTION	MATERIAL	FINISH	QTY	DO NOT SCALE DRAWING					