

4

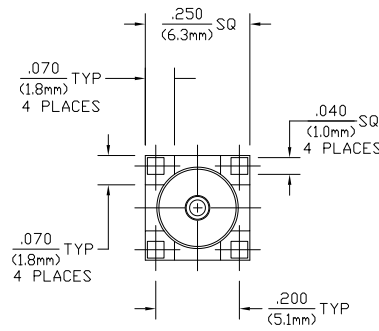
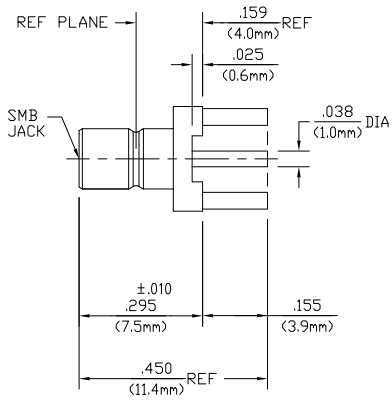
3

2

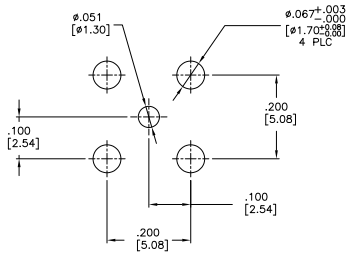
1

THIS DRAWING IS UNPUBLISHED. RELEASED FOR PUBLICATION
 © COPYRIGHT BY TYCO ELECTRONICS CORPORATION. ALL INTERNATIONAL RIGHTS RESERVED.

LOC	DIST	REVISIONS		
P	LTR	DESCRIPTION	DATE	BY
AJ	16			
C		REV PER ECO 08-026463	3DEC2008	DW JL



1. CAPTURED CENTER CONTACT.



RECOMMENDED PCB LAYOUT

HOUSING	BRASS PER ASTM-B-16	GOLD PLATE PER MIL-G-45204 OVER NICKEL PLATE PER QQ-N-290
DIELECTRIC	TFE FLUOROCARBON PER ASTM-D-1457	N/A
CENTER CONTACT	BRASS PER ASTM-B-16	GOLD PLATE PER MIL-G-45204 OVER NICKEL PLATE PER QQ-N-290
COMPONENT	MATERIAL	FINISH

THIS DRAWING IS A CONTROLLED DOCUMENT.		DWN J. HAVENER 25JUL2002 CHK J. HAVENER 25JUL2002 APP K. WEIDNER 25JUL2002 PRODUCT SPEC APPLICATION SPEC WEIGHT FINISH	Tyco Electronics Corporation Harrisburg, PA 17105-3608 SMB SNAP-ON PC BOARD STRAIGHT JACK RECEPTACLE STRAIGHT TERMINAL (5162-5013-09) SIZE CASE CODE DRAWING NO A2 00779 C=1060455-1 SCALE 5:1 SHEET 1 of 1 REV C
DIMENSIONS: INCHES (mm)	0 PLC ± .005 1 PLC ± .005 2 PLC ± .005 (0.15) 3 PLC ± .005 (0.15) 4. P.C. ANGLES ± .1°	DIMENSIONS: INCHES (mm) OTHER DIMENSIONS: AS SHOWN	RESTRICTED TO
MATERIAL: SEE TABLE	FINISH: SEE TABLE	CUSTOMER DRAWING	