

4

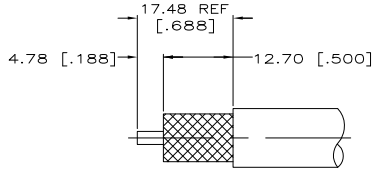
3

2

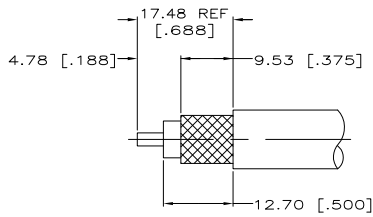
1

THIS DRAWING IS UNPUBLISHED.
 © COPYRIGHT BY TYCO ELECTRONICS CORPORATION. ALL RIGHTS RESERVED.

| LOC | DIST | REV | DESCRIPTION | DATE | BY | APP'D |
|-----|------|-----|----------------------|---------|----|-------|
| DF | X5 | L | REV PER ECO 06-01223 | 1-23-06 | CT | BM |

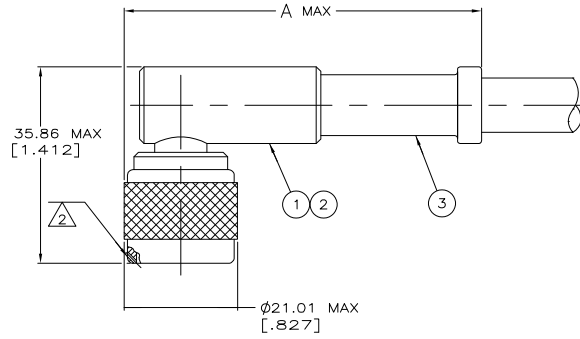


VIEW X
RECOMMENDED STRIP LENGTH



VIEW Y
RECOMMENDED STRIP LENGTH

- 1. PARTS PACKAGED UNASSEMBLED.
- △ THREE SAFETY WIRE HOLES Ø0.61 [.024] MINIMUM, EQUALLY SPACED AROUND CIRCUMFERENCE.
- 3. SEE INSTRUCTION SHEET #2028-5.
- △ OBSOLETE PART NUMBER.
- △ SUPERSEDED BY 225389-4.



| CABLE SIZE | STAMPING | CRIMP TOOL | A | VIEW | (3) FERRULE QTY=1 | (2) CONTACT QTY=1 | (1) PLUG ASSY QTY=1 | PART NUMBER |
|------------------------------|--------------------------------------|------------|---------------|------|-------------------|-------------------|---------------------|--------------|
| RG-213/U | 7-225389-2 AMP | 220015-1 | 62.31 [2.453] | Y | 1-331987-3 | 51704-2 | 225417-1 | △ 7-225389-4 |
| RG-225/U | 5-225389-3 TYCO | 220015-1 | 62.31 [2.453] | X | 1883158-1 | 1-51704-0 | 1883152-1 | 7-225389-2 |
| MICRODOT 250-4172 & 250-4208 | 225389-9 AMP | 220015-3 | 61.49 [2.421] | Y | 225612-2 | 51704-2 | 225904-1 | △ 1-225389-0 |
| RG-165/U & M15224 | 225389-8 AMP | 220015-1 | 62.31 [2.453] | Y | 1-331987-3 | 1-51704-0 | 225417-1 | 225389-9 |
| RG-393/U | 225389-6 AMP | 220015-1 | 62.31 [2.453] | X | 225490-1 | 1-51704-0 | 225417-1 | 225389-8 |
| RG-214/U | 10688467 AMP | 220015-1 | 62.31 [2.453] | X | 331987 | 51704-2 | 225417-1 | 225389-6 |
| RG-214/U | 00779 M39012/05B0003 AMP & DATE CODE | 220015-1 | 62.31 [2.453] | X | 331987 | 51704-2 | 225417-1 | △ 225389-5 |
| RG-225/U | 225389-3 AMP | 220015-1 | 62.31 [2.453] | X | 331987 | 1-51704-0 | 225417-1 | △ 225389-4 |
| RG-213/U | 00779 M39012/05B0002 AMP & DATE CODE | 220015-1 | 62.31 [2.453] | Y | 1-331987-3 | 51704-2 | 225417-1 | 225389-3 |
| RG-115A/U | 225389-1 AMP | 220015-1 | 62.31 [2.453] | X | 1-331987-3 | 51704-2 | 225417-2 | △ 225389-2 |

THIS DRAWING IS A CONTROLLED DOCUMENT. 10-30-91

BY: B. SCOTT 9-29-91
 CHK: M. SNEED 10-30-91
 DATE: 10-31-91

NAME: AMP

TYCO ELECTRONICS CORPORATION
 HARRISBURG, PA 17105-3608

PLUG, RIGHT ANGLE, WEATHERPROOF, SERIES N

SIZE: A2 CASE CODE: C-225389

WEIGHT: 2.6 OZ MAX

CUSTOMER DRAWING

SCALE: 2:1 SHEET: 1 of 1 REV: L