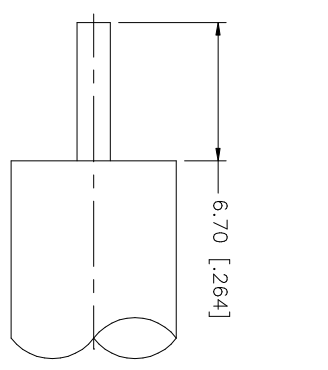
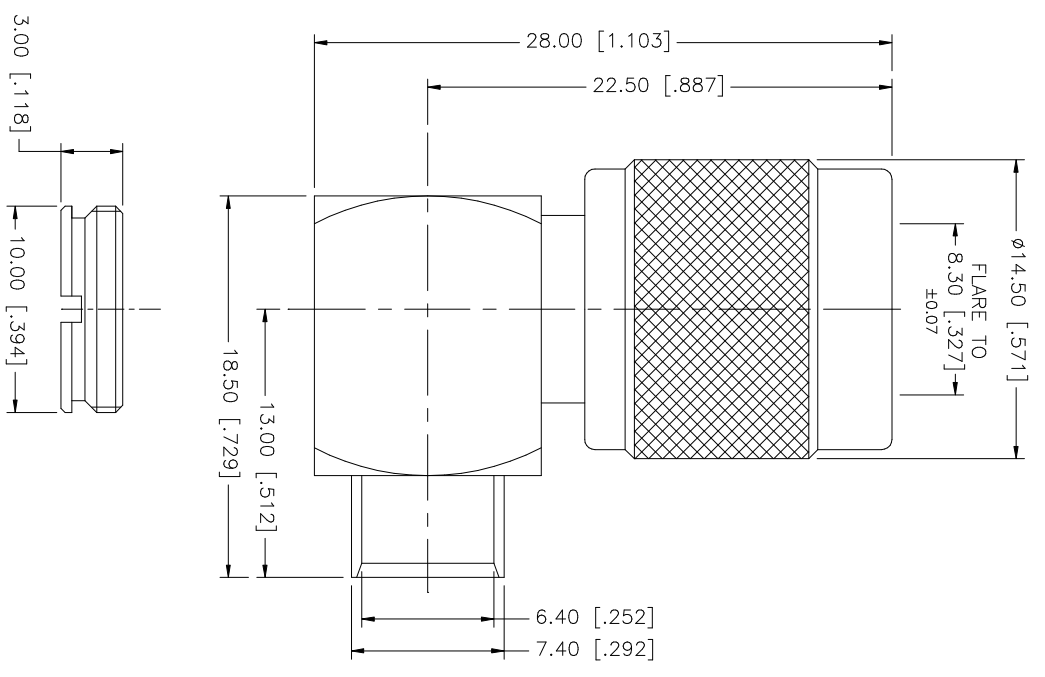


REV.	DATE	DESCRIPTION
NC	04/04/06	INITIAL RELEASE



RECOMMENDED
CABLE STRIPPING DIM'S

QTY	DESCRIPTION	MATERIAL	FINISH	FINISH	QTY	DO NOT SCALE DRAWING	APPROVALS	DATE	PART DESCRIPTION	DWG. NO.	REV.	SIZE	SCALE					
1	CONTRACT PIN	BRASS	GOLD	NICKEL	1	UNLESS OTHERWISE SPECIFIED DIMENSIONS ARE IN INCHES AND FOR CUSTOMER REFERENCE ONLY. TOLERANCES FOR MILLING ARE: UNLESS OTHERWISE SPECIFIED 0.5 - 8mm ± 0.20mm 8 - 30mm ± 0.40mm 30 - 120mm ± 0.50mm UNLESS OTHERWISE SPECIFIED DIMENSIONS ARE IN INCHES AND FOR CUSTOMER REFERENCE ONLY. TOLERANCES FOR MILLING ARE: UNLESS OTHERWISE SPECIFIED .020 - .315 ± 0.007" .315 - 1.180 ± 0.015" 1.180 - 4.724 ± 0.020"	1	INSULATOR	TEFLON	NATURAL	1	DRAWN G.R.S.	04/04/06	Amphenol Connex TNC R/A DIRECT SOLDER PLUG FOR .250" SEMI-RIGID CABLE 122515	122515.DWG	NC	A	NA
1	SHELL/BODY	BRASS	NATURAL	NICKEL	1		CHECKED											
1	DESCRIPTION				1		ISSUED											