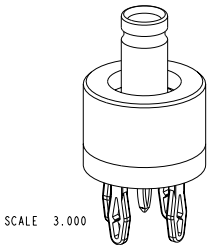
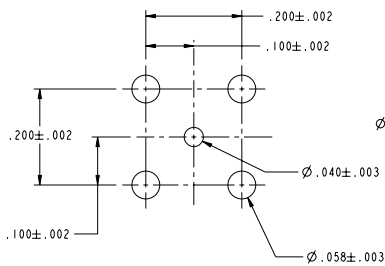


102-909-D100		REVISIONS			
DRAWING NO.	REV	DESCRIPTION	DATE	ECO	APPR
THIRD ANGLE PROJ.	A	RELEASE TO MFG.	1/28/99	42808	FO
	B	ADD ϕ .425 REF & ϕ .161 REF DIM	8/20/99	43104	CFM/

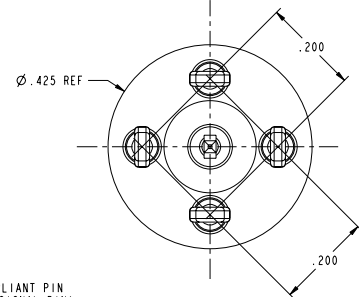
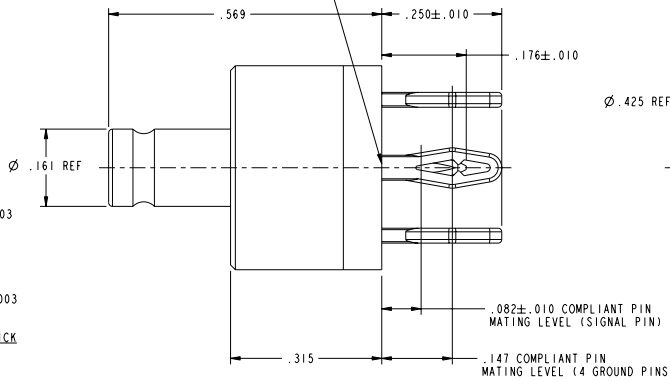


SCALE 3.000



P.C. BOARD HOLE LOCATION
RECOMMENDED BOARD THICKNESS: 0.215 IN - 0.315 IN. THICK

THIS VIEW IS SHOWN WITH SIDE GROUND PINS MISSING TO SHOW THE SIGNAL PIN.



- NOTE:
- MATERIAL OF CONSTRUCTION:
BODY - BRASS, GOLD PLATED
CONTACT - BERYLLIUM COPPER, GOLD PLATED
INSULATOR - TEFLON
COMPLIANT PINS - PHOSPHOR BRONZE, TIN PLATED
 - DO NOT SCALE THIS DRAWING.
 - PACKAGE IN BAG 999-226, MARK BAG WITH "AMPHENOL" PART NUMBER AND DATE CODE ("YYWW")

CUSTOMER OUTLINE DRAWING
ALL OTHER SHEETS ARE FOR INTERNAL USE ONLY

102-909-D100-01	1	1	1.0/2.3 JACK RECEPT	
PART NUMBER	QTY.	ITEM	DESCRIPTION	FINISH

UNLESS OTHERWISE SPECIFIED, DIMENSIONS ARE IN INCHES AND TOLERANCES ARE: 2 PLACE DECIMAL ±.015 (0.381 mm) 3 PLACE DECIMAL ±.005 (0.127 mm) ANGLES ± 1°	MATERIAL	DRAWN F. ORBETA	DATE 02-Dec-98	TITLE 1.0/2.3 JACK RECEPT COMPLIANT PIN TERM FOR PRESS FIT ASS'Y	Amphenol Amphenol Corporation Communication and Network Products Division Danbury, CT U.S.A. 06810 SCALE: 5.0:1 SHEET 1 OF 1	
	REFERENCE EAR #967133-0 615X-1523 GEN #ASSYF1.1023	ENGINEER F. ORBETA	DATE 02-Dec-98	APPROVED T. AUBIN		DATE 1/22/99
NOTICE - These drawings, specifications, or other data (1) are, and remain the property of Amphenol Corp. (2) must be returned upon request; and (3) are confidential and not to be disclosed to any person other than those to whom they are given by Amphenol Corp. The furnishing of these drawings, specifications, or other data by Amphenol Corp., or to any other person for any purpose is not to be regarded by implication or otherwise in any manner licensing, granting rights or permitting such holder or any other person to manufacture, use or sell any product, process or design, patented or otherwise, that may in any way be related to or disclosed by said drawings, specifications, or other data.		CAD FILE 1:\1023\102-909-D100	CODE ID 74868	DWG SIZE B	DRAWING NO. 102-909-D100	REV B