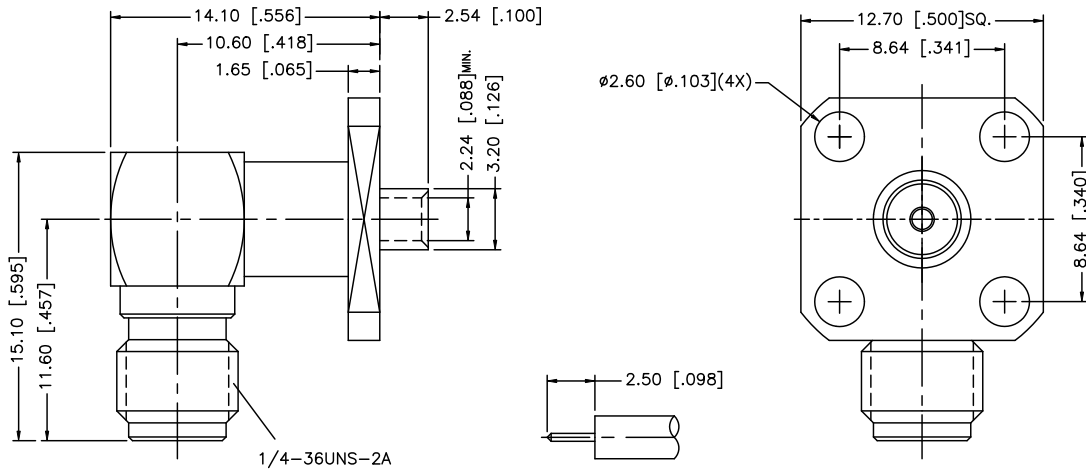


REV.	DATE	ECR NO.	DESCRIPTION
NC	08/28/00	-	INITIAL RELEASE
A	07/31/08	-	UPDATE DRAWING FORMAT



RECOMMENDED
CABLE STRIPPING DIM'S

				UNLESS OTHERWISE SPECIFIED DIMENSIONS ARE IN MILLIMETERS. DIMENSIONS IN [] ARE IN INCHES AND FOR CUSTOMER REFERENCE ONLY.	APPROVALS	DATE	Amphenol Connex			
8					DRAWN	GRS				07/31/08
7					CHECKED			PART NO. 132293		
6					ISSUED					
5					SHEET	1 OF 1		DO NOT SCALE DRAWING		
4	CONTACT PIN	BER. COPPER	GOLD	1	CAD FILE C:/132/132293.DWG					
3	INSULATOR	PTFE	NATURAL	1						
2	SOLDER BODY	BRASS	GOLD	1						
1	BODY	BRASS	GOLD	1						
				UNLESS OTHERWISE SPECIFIED TOLERANCES FOR MILLIMETERS ARE: 0.5 - 8mm ± 0.20mm 8 - 30mm ± 0.40mm 30 - 120mm ± 0.50mm UNLESS OTHERWISE SPECIFIED TOLERANCES FOR INCHES ARE: .020 - .315 = ± 0.007" .315 - 1.180 = ± 0.015" 1.180 - 4.724 = ± 0.020"						