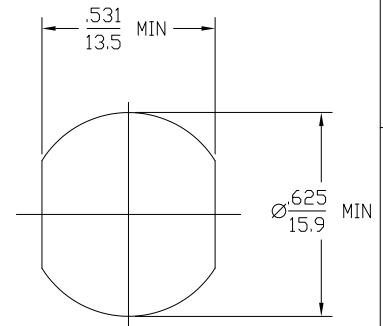
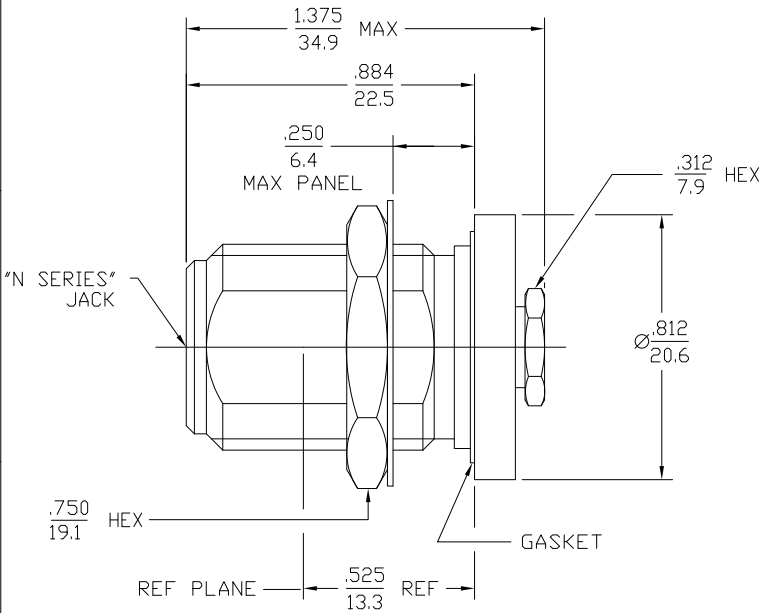


THIS DRAWING IS UNPUBLISHED. RELEASED FOR PUBLICATION
 © COPYRIGHT BY TYCO ELECTRONICS CORPORATION. ALL RIGHTS RESERVED.

| | |
|-----------------------------------|------|
| DESIGNED FOR USE WITH RG-141/U | |
| CABLE ENTRY DIAMETER MINIMUM | |
| COLLAR | .122 |
| CLAMP NUT | .220 |
| CONTACT | .042 |

| REVISIONS | | | | |
|-----------|----|-----------------------|-----------|-------|
| P | LR | DESCRIPTION | DATE | APPD |
| B | | REV PER EDD 07-027471 | 1/16/2008 | DW JL |



1057138-1
PART NUMBER

| COMPONENT | MATERIAL | FINISH |
|--------------------------------|--|----------------------------|
| HOUSING CLAMP NUT MOUNTING NUT | BRASS PER ASTM-B-16, HALF HARD | NICKEL PLATE PER QQ-N-290 |
| DIELECTRIC | PTFE FLUOROCARBON PER ASTM-D-1457 | N/A |
| CENTER CONTACT | BRASS PER ASTM-B-16, HALF HARD | GOLD PLATE PER MIL-G-45204 |
| LOCKWASHER | PHOSPHOR BRONZE PER QQ-B-750, GRADE B2 OR TIN BRASS PER ASTM-B-591 | NICKEL PLATE PER QQ-N-290 |
| COLLAR | BRASS PER ASTM-B-16, HALF HARD | GOLD PLATE PER MIL-G-45204 |
| GASKET | SILICONE RUBBER PER ZZ-R-765 | N/A |

| | | | |
|--|--|---------------|-----------------|
| THIS DRAWING IS A CONTROLLED DOCUMENT. | | DATE: 9/25/79 | BY: [Signature] |
| DIMENSIONS: INCHES | | DATE: 10-1-79 | BY: [Signature] |
| OTHER DIMENSIONS: MILLIMETERS | | DATE: 10-3-79 | BY: [Signature] |
| MATERIAL: - | | DATE: - | BY: - |
| FINISH: - | | DATE: - | BY: - |
| APPLICATION SPEC: 30-045 | | DATE: - | BY: - |
| RIGHT: - | | DATE: - | BY: - |
| CUSTOMER DRAWING | | SCALE: 1:1 | SHEET: 1 of 1 |

AMP 1471-9 REV 31MM2000

1057138-1
B
A