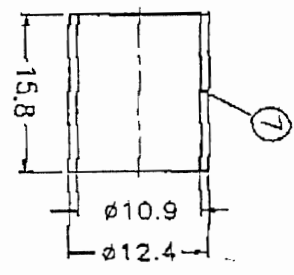
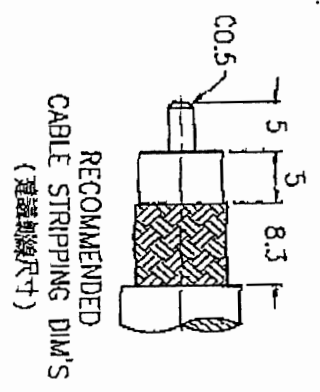
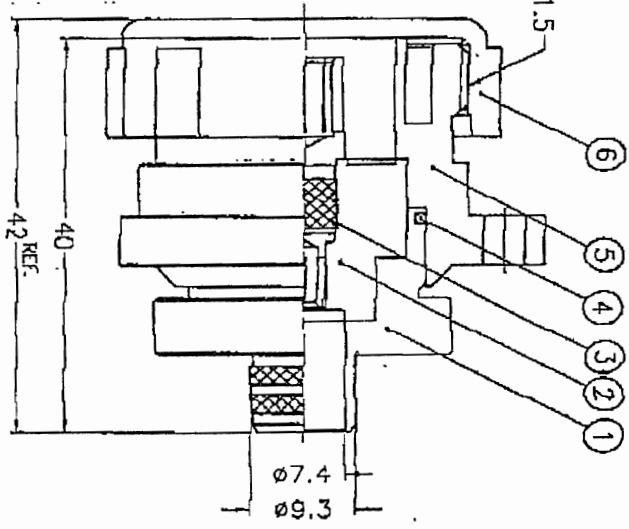
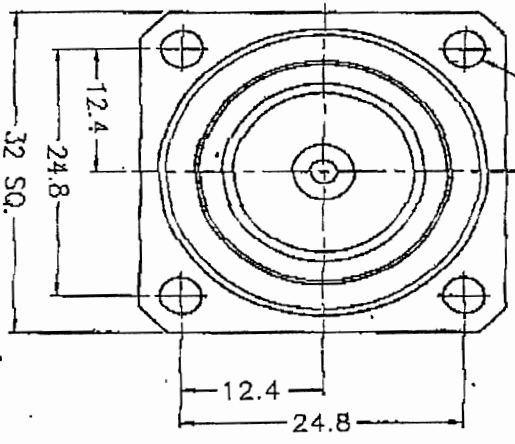


ISSI	ZONE	REVISIONS	DESCRIPTION	APPROVED	DATE
------	------	-----------	-------------	----------	------



- NOTES: FINISH (PLATING THICKNESS IN MICRO-INCHES)
1. BRASS PER QQ-B-628
 2. SILVER PL. 120 MIN. THICK OVER COPPER STRIKE
 3. BERYLLIUM COPPER PER QQ-C-530
 4. SILVER PL. 200 MIN. THICK OVER COPPER STRIKE
 5. TERNON ML-P-1948B
 6. BLUE PER PANTONE 3005C
 7. JIS H 5250, C Z700

Handwritten note: 5.12.02

參考
88.6.17
開發部

NO.	DESCRIPTION	MATERIAL	FINISH	QTY	DRAWING NO.
1	BARREL	NOTE 1	NOTE 2	1	716111A2-1-93
2	INSULATOR	NOTE 5	NATURAL	1	716111A2-2T-1400
3	CONTACT P.N	NOTE 3	NOTE 4	1	7166511A2-3-4/29
4	GASKET	SILICONE	RED	1	6S-215/18X018
5	BODY	NOTE 1	NOTE 2	1	7166511A1-5
6	COVER	PE	NOTE 6	1	7166141A1-9
7	FERRULE	NOTE 7	NOTE 2	1	FR-124/108X15B

UNLESS OTHERWISE SPECIFIED	DIMENSIONS ARE IN MILLIMETERS
TOLERANCES	
0.5-6 = ±0.2	
6-30 = ±0.4	
30-120 = ±0.6	
120-315 = ±1.1	
315-1000 = ±1.6	
1000-2000 = ±2.4	

PART NO.	272123
APPROVED	<i>[Signature]</i>
DATE	06-15-99
CHECKED	<i>[Signature]</i>
DATE	06-15-99
DRAWN	ALAN
DATE	06-15-99

TITLE	PANEL JACK
DRAWING NO.	7/16 CRIMP JACK
FILE NO.	(FOR LMR400, BELDEN 9913)
DRAWING NO.	72123
FILE NO.	KJ-7166511A2-1205TS-LMR400-50

KAI JACK INDUSTRIAL CO., LTD.
TAINAN TAIWAN R.O.C.