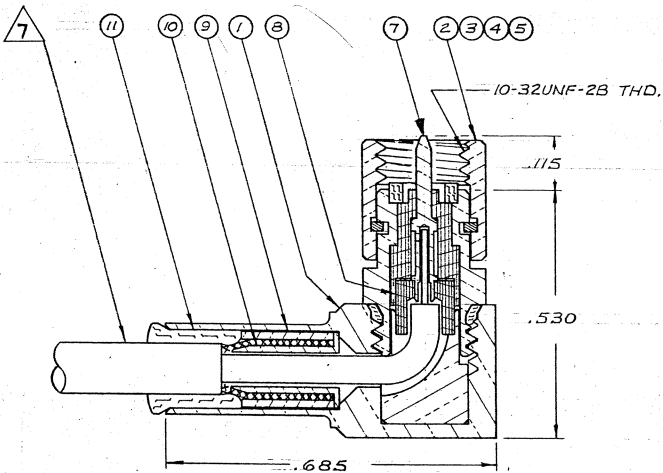


CDM 132-0119-000* C



- △ CABLE ACCOMMODATION DIMS:
 JACKET DIA.----- .110 MAX
 DIELECTRIC DIA.----- .057-.070
 CENTER CONDUCTOR DIA.----- .009-.020
 FOR ENVIRONMENTAL SEAL USE EXTRUDED JACKET
6. FOR ELECTRICAL, MECHANICAL & ENVIRONMENTAL SPECS SEE MICRODOT CATALOG.
- △ .016 D. WIRE HOLE 3 PLACES
- △ GOLD PLATE PER MIL-G-45204 TYPE II, CLASS I OVER COPPER PER MIL-C-14550 CL 4
- △ GOLD PLATE PER MIL-G-45204 TYPE II, CLASS I
2. SEE RF-ASMB-11 ASSEMBLY INSTRUCTIONS.
1. THIS CONNECTOR MATES WITH ALL 50 Ω GOLDEN CRIMP, CRIMP SILVER & S-50 JACKS & RECEPTACLES AS LISTED IN MICRODOT CATALOG.

NOTES: UNLESS OTHERWISE SPECIFIED

				DELETED		ITEM No.
1	1	1	1	003-0861-0001	SEALING SLEEVE	SILICONE RUBBER MIL-R-5847 (11)
△	1	1	1	003-1243-0002	INNER SLEEVE	F.M. BRASS PER QQ-B-626 (10)
△	1	1	1	003-0838-0002	MIDDLE SLEEVE	LEADED COPPER (9)
1	1	1	1	003-1242-0001	CABLE BUSHING	TEFLON PER L-P403 (8)
△	1	1	1	003-0807-0002	PIN CONTACT	COPPER ALLOY (7)
				DELETED		(6)
△	△	1		003-1235-0004	FERRULE SUB-ASSY NUT-1/4" HEX W/ WIRE HOLES	(5)
△		1		003-1235-0003	FERRULE SUB-ASSY NUT-1/4" HEX.	(4)
△		1		003-1235-0002	FERRULE SUB-ASSY NUT-1/4" KNURL	(3)
△		1		003-1235-0001	FERRULE SUB-ASSY NUT-1/4" PARTIAL HEX	(2)
△	1	1	1	003-1239-0002	HOUSING SUB-ASSY	(1)
4	3	2	1	COMPONENT	NOMENCLATURE	MAT'L # SPEC. ITEM No.
DASH NO. *				No.		

A	3300	RELEASE FOR PRODUCTION	B.7	4/63	STANDARD TOLERANCES UNLESS OTHERWISE SPECIFIED DEC. # .015	MICRODOT INC. SOUTH PASADENA, CALIF.
B	9787	UP-DATED 3-4-4 NOS.	S.H	4/16/63	FRAG. #	
C	132-0119-0002	DELETED ITEMS 6 AND 12 ADDED PROD CODE 941 REVISED NOTE 1A	DIA	5.25	ANGLES #	
ASSEMBLY NO. REC'D				ECCENTRICITY MAX. T.I.R.		SURFACE TREATMENT NOTED MATERIAL NOTED
NEXT ASSEMBLIES		LET ECO		HOLE DIA. #		
		REVISION DESCRIPTION		SURFACE ROUGHNESS MICRO INCHES		APP: [Signature] CHECKED BY: [Signature] DRAWN BY: 137
				THREADS TO MIL-S-7742 COMMERCIAL TOLERANCES APPLY TO STOCK DIMENSIONS		SCALE: CS WT: [Blank] DATE: 11/21/65
				RT ANGLE PLUG ENVIRONMENTAL GOLDEN CRIMP 50 Ω		PROD CODE: 941 CODE: CDM DRAWING NUMBER: 132-0119-000* C

TYCO CUSTOMER DWG 8-1532149-3