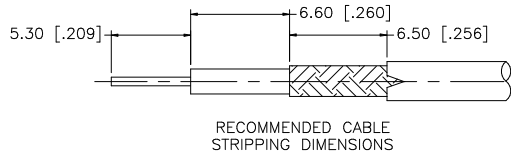
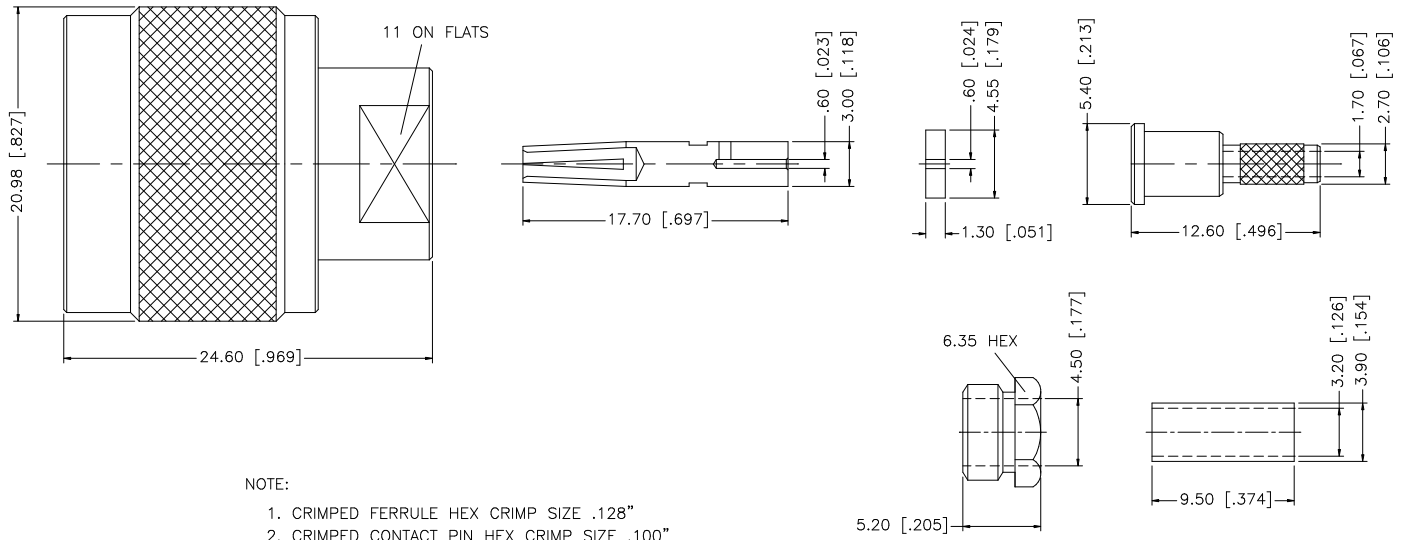


REV.	DATE	DESCRIPTION
NC	09/28/98	INITIAL RELEASE
A	02/19/07	UPDATE DRAWING FORMAT



RECOMMENDED CABLE STRIPPING DIMENSIONS



- NOTE:
1. CRIMPED FERRULE HEX CRIMP SIZE .128"
  2. CRIMPED CONTACT PIN HEX CRIMP SIZE .100"

DESCRIPTION	MATERIAL	FINISH	QTY	UNLESS OTHERWISE SPECIFIED DIMENSIONS ARE IN MILLIMETERS. DIMENSIONS IN [ ] ARE IN INCHES AND FOR CUSTOMER REFERENCE ONLY.	APPROVALS	DATE	<h1 style="color: blue;">Amphenol Connex</h1>	
8								<b>N CRIMP PLUG – REVERSE POLARITY (FOR RG-174/U, 188A/U, 316/U)</b>  PART NO. <b>172128RP</b>  DWG. NO. 172128RP.DWG    REV. A    SIZE A    SCALE NA
7	FERRULE	BRASS	NEXCOTE	1	DRAWN	G.R.S.	02/19/07	
6	HEX NUT	BRASS	NEXCOTE	1	CHECKED			
5	LOCK WASHER	BRASS	NEXCOTE	1	ISSUED			
4	INSULATOR	TEFLON	NATURAL	1	SHEET	1 OF 1		
3	CONTACT PIN	PHOS. BRONZE	GOLD	1				
2	INSULATOR	TEFLON	NATURAL	1				
1	BODY	BRASS	NEXCOTE	1				
				UNLESS OTHERWISE SPECIFIED DIMENSIONS ARE IN MILLIMETERS. DIMENSIONS IN [ ] ARE IN INCHES AND FOR CUSTOMER REFERENCE ONLY.	CAD FILE			
				DO NOT SCALE DRAWING	C:/172/172128RP.DWG			

UNLESS OTHERWISE SPECIFIED DIMENSIONS ARE IN MILLIMETERS. DIMENSIONS IN [ ] ARE IN INCHES AND FOR CUSTOMER REFERENCE ONLY.

UNLESS OTHERWISE SPECIFIED TOLERANCES FOR MILLIMETERS ARE:  
 0.5 – 8mm ± 0.20mm  
 8 – 30mm ± 0.40mm  
 30 – 120mm ± 0.50mm

UNLESS OTHERWISE SPECIFIED TOLERANCES FOR INCHES ARE:  
 .020 – .315 = ± 0.007"  
 .315 – 1.180 = ± 0.015"  
 1.180 – 4.724 = ± 0.020"

# Amphenol Connex

**N CRIMP PLUG – REVERSE POLARITY  
(FOR RG-174/U, 188A/U, 316/U)**

PART NO. **172128RP**

DWG. NO. 172128RP.DWG    REV. A    SIZE A    SCALE NA