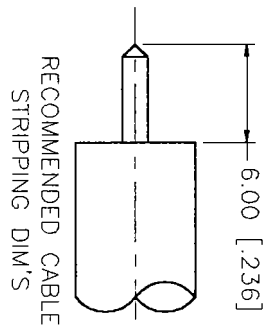
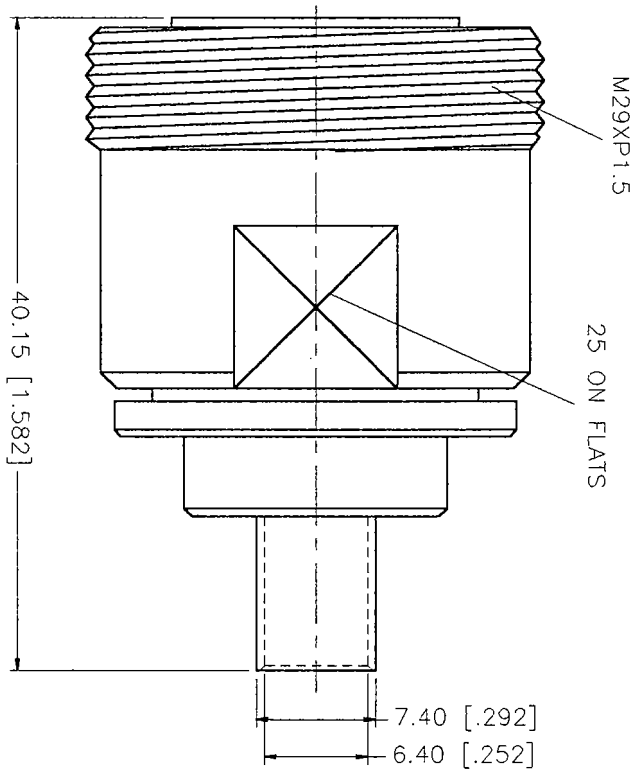


REV.	DATE	DESCRIPTION
NC	06/15/99	INITIAL RELEASE



DESCRIPTION	MATERIAL	FINISH	UNLESS OTHERWISE SPECIFIED DIMENSIONS ARE IN MILLIMETERS DIMENSIONS IN [] ARE IN INCHES FOR CUSTOMER REFERENCE ONLY	APPROVALS	DATE	TITLE	SCALE	PART NO.	DWG. NO.	SHEET	REV.
1 HOUSING	BRASS	SILVER		DRAWN	06/15/99	connex Connector Corporation 7/16 JACK - .250 SEMI RIGID CABLE	A	99001	242147	1 OF 1	NC
2 BODY	BRASS	SILVER		CHECKED							
3 INSULATOR	TEFLON	NATURAL		ISSUED							
4 CONTACT PIN	BER. COPPER	SILVER									
5			UNLESS OTHERWISE SPECIFIED TOLERANCES FOR MILLIMETERS ARE:								
6			0.5-6 = ± 0.2								
7			6-30 = ± 0.4								
8			30-120 = ± 0.6								
			120-315 = ± 1								
			315-1000 = ± 1.6								
			1000-2000 = ± 2.4								
DO NOT SCALE DRAWING											