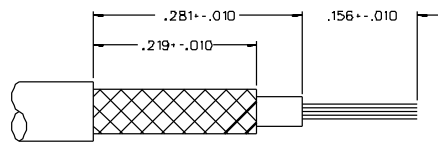
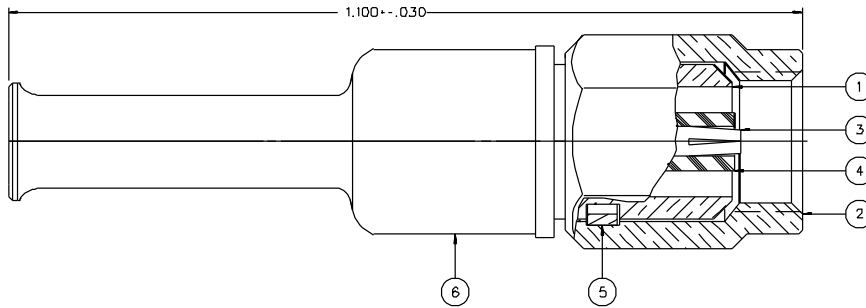


PART NUMBER	ITEM ① BODY	ITEM ② NUT	ITEM ③ CONTACT	ITEM ④ INSULATOR	ITEM ⑤ SPRNG	ITEM ⑥ CRIMP SLEEVE
131-64D2-001	BRASS GOLD PL .00001 MIN OVER NICKEL PL .00005 MIN OVER COPPER PL .00005 MIN	BRASS GOLD PL .00001 MIN OVER NICKEL PL .00005 MIN OVER COPPER PL .00005 MIN	BERYLLIUM COPPER GOLD PL .00003 MIN OVER NICKEL PL .00005 MIN OVER COPPER PL .00005 MIN	TEFLON	BERYLLIUM COPPER UNPLATED	COPPER GOLD PL .00001 MIN OVER NICKEL PL .00005 MIN OVER COPPER PL .00005 MIN
131-64D2-006	BRASS NICKEL PL .0001 MIN OVER COPPER PL .00005 MIN	BRASS NICKEL PL .0001 MIN OVER COPPER PL .00005 MIN	BERYLLIUM COPPER GOLD PL .00003 MIN OVER NICKEL PL .00005 MIN OVER COPPER PL .00005 MIN	TEFLON	BERYLLIUM COPPER UNPLATED	COPPER NICKEL PL .0001 MIN OVER COPPER PL .00005 MIN

DRAWING NO.		C - 131-6402-001/010	
0		REVISIONS	
ENGINEERING RELEASE			
01	03-31-89	ET	11/11/1 4-12-89
CHANGED: RF LEAK 2.5 GHZ WAS 2 TO 3 GHZ, RF HIGH POT 4 AND 7 MHZ WAS 5 MHZ			
2	3-2-93	R	11/11/1 3-29-93
CHANGED: RF LEAK -60 DB WAS -55 DB			
2a	12-14-94	R	11/11/1 1-3-95
ADDED: CONTACT CRIMP TOOL, JCI PART NUMBER 141-0000-911			
3	1-14-98	R	11/11/1 1-3-98
CHANGED: UPDATED GRAPHICS			
* REVISION NUMBER FOLLOWED BY AN ALPHA *			
* CHARACTER INDEXED DRAWING CLASS *			
* CAUTION ON PART NUMBER ADDITION ONLY *			
3a	8-27-99	R	11/11/1 ECN 48626



CABLE STRIP DIMENSIONS

NOTES:

1. SPECIFICATIONS:

IMPEDANCE: 50 OHMS
 FREQUENCY RANGE: 0-10 GHZ
 VSWR: 1.25 - .04 F (F IN GHZ)
 WORKING VOLTAGE: 250 VRMS MAX AT SEA LEVEL
 DIELECTRIC WITHSTANDING VOLTAGE: 750 VRMS MIN AT SEA LEVEL
 INSULATION RESISTANCE: 1000 MEGOHM MIN
 CONTACT RESISTANCE:
 CENTER CONTACT - INITIAL 6 MILLIOHM MAX, AFTER ENVIRONMENTAL 8 MILLIOHM MAX
 OUTER CONDUCTOR - GOLD PLATED INITIAL 1 MILLIOHM MAX, AFTER ENVIRONMENTAL - NOT APPLICABLE
 NICKEL PLATED INITIAL 2.5 MILLIOHM MAX, AFTER ENVIRONMENTAL - NOT APPLICABLE
 BRAID TO BODY - INITIAL 1 MILLIOHM MAX, GOLD PLATED 2.5 MILLIOHM MAX (NICKEL PL) AFTER ENVIRONMENTAL NOT APPLICABLE
 CORONA LEVEL: 185 VOLTS MIN AT 70,000 FEET
 INSERTION LOSS: -25 DB MAX AT 4 GHZ
 RF LEAKAGE: -60 DB MIN AT 2.5 GHZ
 RF HIGH POTENTIAL WITHSTANDING VOLTAGE: 500 VRMS AT 4 AND 7 MHZ
 MECHANICAL:
 ENGAGE/DISENGAGE TORQUE: 16 OUNCE-INCH MAX
 MATING TORQUE: 35-50 OUNCE INCH
 COUPLING NUT TORQUE: 100 OUNCE-INCH MIN
 CONTACT RETENTION: 35 LBS MIN
 CONTACT RETENTION: 4 LBS MIN AXIAL FORCE
 CABLE ACCEPTABILITY: RG178/U, RC196/U
 CABLE HEX CRIMP SIZE: .105
 CONTACT CRIMP TOOL: JCI P/N 141-0000-911
 CABLE RETENTION: 10 LBS MIN OR CABLE BREAKING STRENGTH
 DURABILITY: 500 CYCLES MIN
 ENVIRONMENTAL:
 (MEETS OR EXCEEDS THE APPLICABLE PARAGRAPH OF MIL-C-39012)
 THERMAL SHOCK: MIL-STD-202, METHOD 107, CONDITION B
 OPERATING TEMPERATURE: -65 DEG C TO 165 DEG C
 CORROSION: MIL-STD-202, METHOD 101, CONDITION B
 SHOCK: MIL-STD-202, METHOD 213, CONDITION C
 VIBRATION: MIL-STD-202, METHOD 204, CONDITION D

CUSTOMER DRAWING

THIS DRAWING TO BE INTERPRETED PER ANSI Y 14.5M - 1982

"μSTATION"

COMPANY CONFIDENTIAL

TOLERANCE UNLESS OTHERWISE SPECIFIED	DRAWN BY EJ	DATE 11-9-87	299 Johnson Ave. P.O. Box 1732 Waseca, MN 56093-0832
DECIMALS	CHECKED BY	DATE	
.XXX	LCS	3-31-89	TITLE PLUG ASSEMBLY STRAIGHT CABLED SMC, RG 178
MATERIAL	APPROVED BY RJB	DATE 3-31-89	CODE NO.
FINISH	RELEASE DATE	4-12-89	DRAWING NO. C - 131-6402-001/010
SCALE 10:1			U/N INCH SHEET 2 OF 2