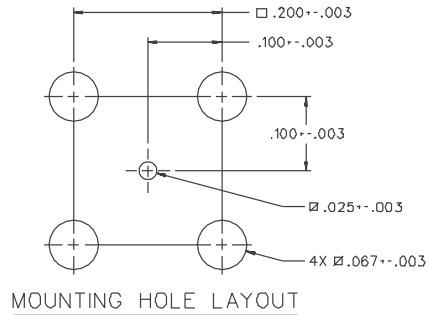
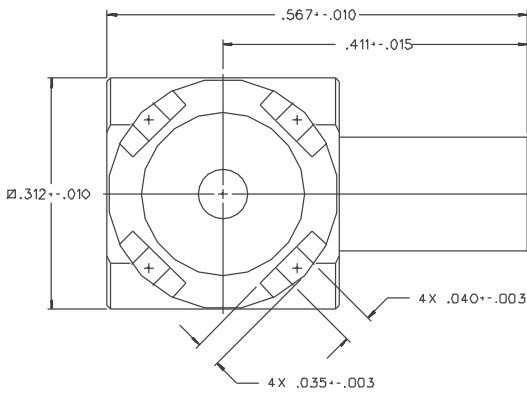
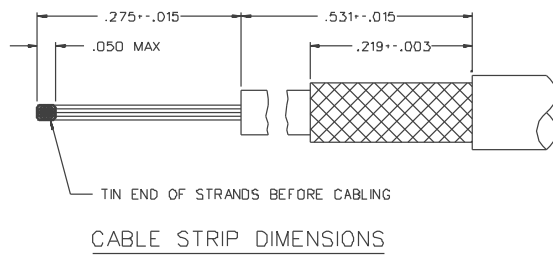
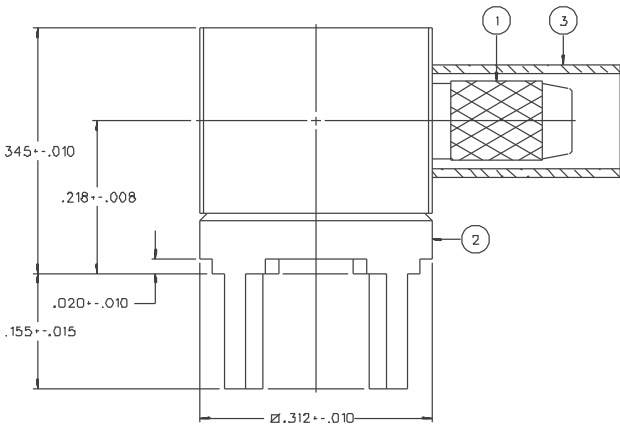


PART NUMBER	ITEM ① BODY	ITEM ② BASE	ITEM ③ CRIMP SLEEVE
T42-0003-301	BRASS GOLD PL .00001 MIN OVER NICKEL PL .00005 MIN OVER COPPER PL .00005 MIN	BRASS GOLD PL .00001 MIN OVER NICKEL PL .00005 MIN OVER COPPER PL .00005 MIN	COPPER GOLD PL .00001 MIN OVER NICKEL PL .00005 MIN OVER COPPER PL .00005 MIN
T42-0003-306	BRASS NICKEL PL .0001 MIN OVER COPPER PL .00005 MIN	BRASS NICKEL PL .0001 MIN OVER COPPER PL .00005 MIN	COPPER NICKEL PL .0001 MIN OVER COPPER PL .00005 MIN
T42-0003-307	BRASS NICKEL PL .0001 MIN OVER COPPER PL .00005 MIN	BRASS NICKEL PL .0001 MIN OVER COPPER PL .00005 MIN $\Delta$	COPPER NICKEL PL .0001 MIN OVER COPPER PL .00005 MIN

DRAWING NO. C - 142-0003-301/310	
0	REVISIONS
CHANGED: REVISED AND REDRAWN. WAS "D" SIZE, DATED 10-3-86.	
03	04-12-88 EJR/RR/RJB 5-19-88 ECO 23408
ADDED: P/N 142-0003-307, NOTE 2	
4	7-16-92 RJB/ECO 41140



NOTES:

- SPECIFICATIONS:  
CABLE ACCEPTABILITY: RG 18B/U, RG 316/U, RG 161/U  
RG 174/U, RG 179/U, RG 187/U  
CABLE HEX CRIMP SIZE: .128  
CABLE RETENTION: 20 LBS MIN OR CABLE BREAKING STRENGTH
- $\Delta$  CONNECTOR MOUNTING LEADS 60/40 TIN/LEAD DIPPED (SOLDER PLATE).

CUSTOMER DRAWING

THIS DRAWING TO BE INTERPRETED  
PER ANSI Y 14.5M - 1982

"μSTATION"

COMPANY CONFIDENTIAL

TOLERANCE UNLESS OTHERWISE SPECIFIED	DRAWN BY	DATE	 299 Johnson Ave. P.O. Box 1732 Waseca, MN 56093-0832
DECIMALS	EJ	4-12-88	
.XX	CHECKED BY	DATE	TITLE
.XXX	RRF	5-16-88	CABLE TERMINATION, RA PC MOUNT RG 316
MATL	APPROVED BY	DATE	CODE NO.
FINISH	RJB	5-16-88	C - 142-0003-301/310
	RELEASE DATE	(12-1-86) 5-19-88	SCALE 10:1
			U/M INCH
			SHEET 2 OF 2