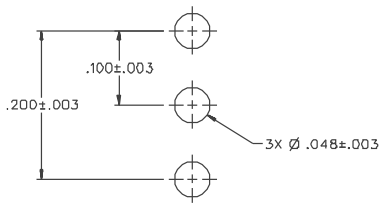
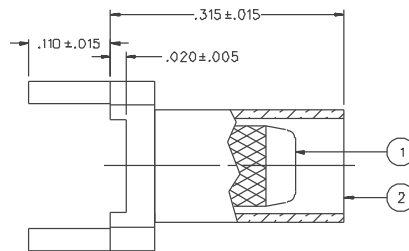
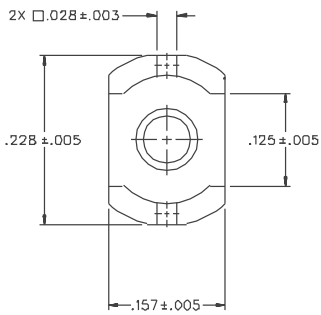
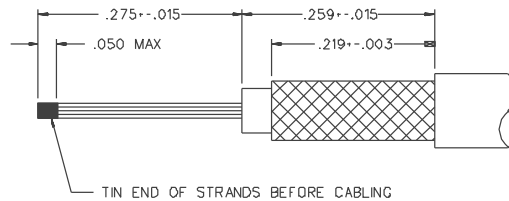


PART NUMBER	ITEM ① BODY	ITEM ② CRIMP SLEEVE
142-0003-241	BRASS GOLD PL .00001 MIN OVER NICKEL PL .00005 MIN OVER COPPER PL .00005 MIN	COPPER GOLD PL .00001 MIN OVER NICKEL PL .00005 MIN OVER COPPER PL .00005 MIN
142-0003-246	BRASS NICKEL PL .0001 MIN OVER COPPER PL .00005 MIN	COPPER NICKEL PL .0001 MIN OVER COPPER PL .00005 MIN

DRAWING NO.	
C - 142-0003-241/250	
0 REVISIONS	
ENGINEERING RELEASE	
1	9-9-94



MOUNTING HOLE LAYOUT



CABLE STRIP DIMENSIONS

CUSTOMER DRAWING

THIS DRAWING TO BE INTERPRETED
PER ANSI Y 14.5M - 1982

"μSTATION"

COMPANY CONFIDENTIAL

NOTES:

1. SPECIFICATIONS:

CABLE ACCEPTABILITY: RG 18B/U, RG 316/U, RG 181/U,
RG 174/U, RG 179/U, RG 187/U

CABLE HWY. CRIMP SIZE: .328
CABLE RETENTION: 20 LBS.
IMPEDANCE: 50 OHMS

TOLERANCE UNLESS OTHERWISE SPECIFIED		DRAWN BY SWC	DATE 7-25-94	299 Johnson Ave. P.O. Box 1732 Waseca, MN 56093-0832
DECIMALS	mm	CHECKED BY	DATE	
.XXX		APPROVED BY SWC	DATE 9-9-94	TITLE CABLE TERMINATION, STRAIGHT PC MOUNT, RG 316
MATL		APPROVED BY TAK/RJB	DATE 9-19-94	CODE NO.
FINISH		RELEASE DATE		DRAWING NO. C - 142-0003-241/250
				SCALE 10:1
				U/M INCH
				SHEET 2 OF 2