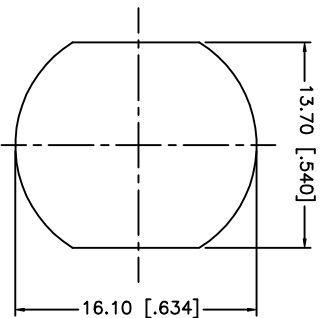
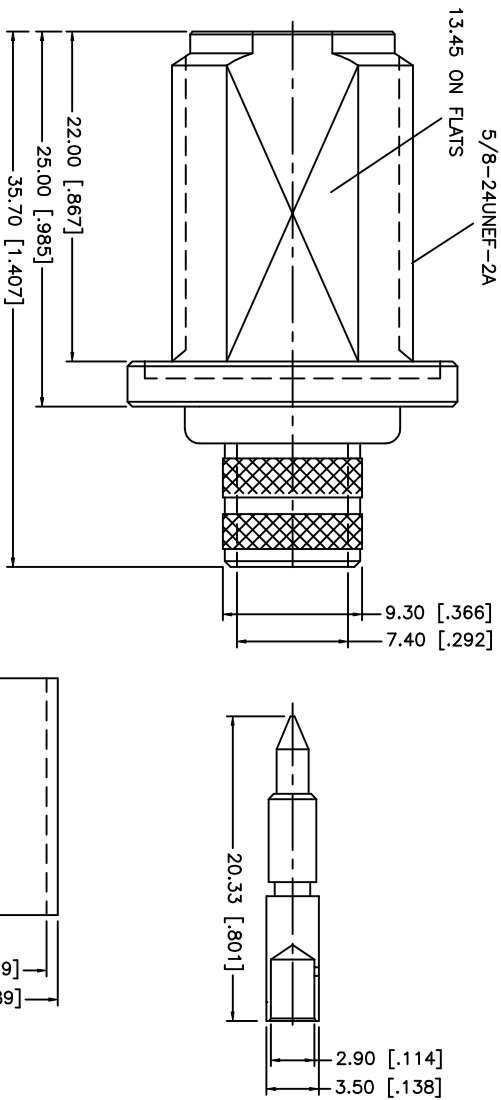
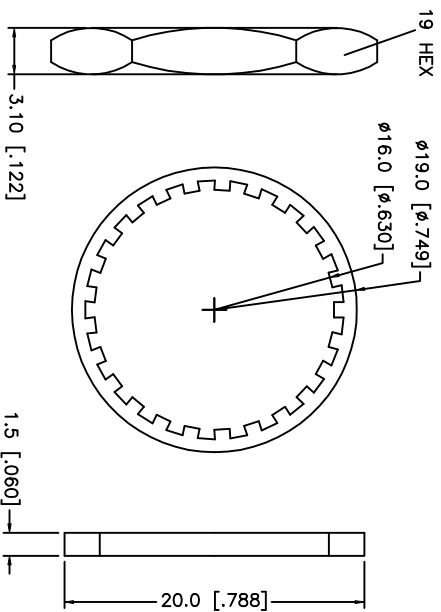
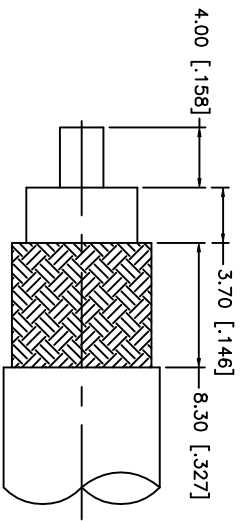


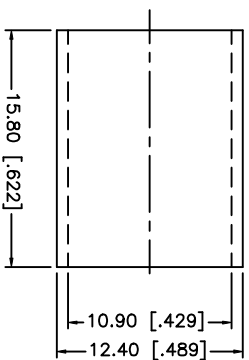
REV.	DATE	DESCRIPTION
NC	05/27/02	INITIAL RELEASE



RECOMMENDED MOUNTING HOLE DIMENSIONS



RECOMMENDED CABLE STRIPPING DIM'S



CRIMP NOTES:

1. CRIMPED FERRULE HEX CRIMP SIZE .429"
2. CRIMPED CONTACT PIN HEX CRIMP SIZE .118"
3. MAX PANEL THICKNESS = 6.5mm

8	FERRULE	COPPER	NICKEL						
7	CONTACT PIN	BRASS	GOLD						
6	HEX NUT	BRASS	NICKEL						
5	LOCK WASHER	BRASS	NICKEL						
4	GASKET	GASKET	RED						
3	INSULATOR	TEFLON	NATURAL						
2	BODY	BRASS	NICKEL						
1	DESCRIPTION	MATERIAL	FINISH	DO NOT SCALE DRAWING					

UNLESS OTHERWISE SPECIFIED DIMENSIONS ARE IN MILLIMETERS	APPROVALS	DATE
DIMENSIONS IN [ ] ARE IN INCHES FOR CUSTOMER REFERENCE ONLY	DRAWN G.R.S.	05/27/02
UNLESS OTHERWISE SPECIFIED TOLERANCES FOR INCHES ARE: .XXX = ± 0.005" .XX = ± 0.010" .X = ± 0.020"	CHECKED	
	ISSUED	

TITLE	SCALE	PART NO.	SHEET
N REVERSE POLARITY BULKHEAD CRIMP JACK (FOR BELDEN 8214, 9913, 9914, LMR 400 CABLE)	NA	172220RP	1 OF 1

**Amphenol - Connex**  
CONNECTOR CORPORATION

REV. NC