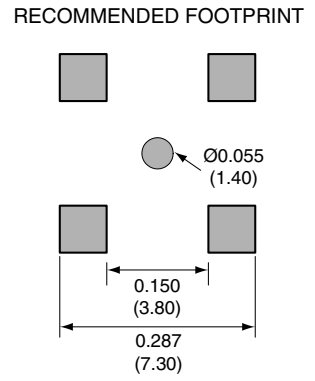
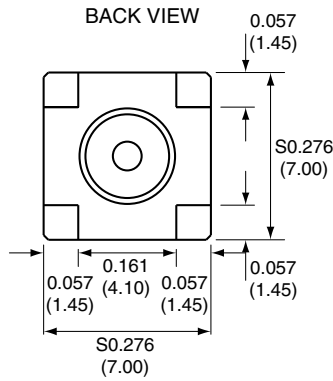
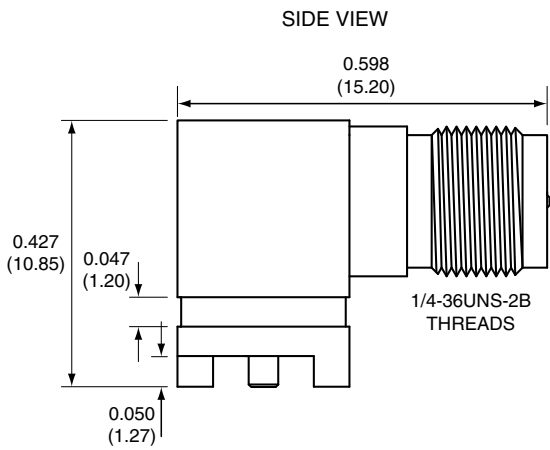


1		
Description	Material	Finish
Body	Brass	Nickel
Pin	Brass	Gold
Insulation	Teflon	Teflon



Title RP-SMA FEMALE RIGHT ANGLE SURFACE MOUNT		CONNECTOR CITY 159 ORT LANE MERLIN, OR 97532
Part No. CONREVSMA002-SMD	Revision: 1.0	PH (541)-471-6256 FAX (541)-471-6251
Dimensions: INCHES (mm)	Date: 6/7/2007	Sheet 1 of 1

