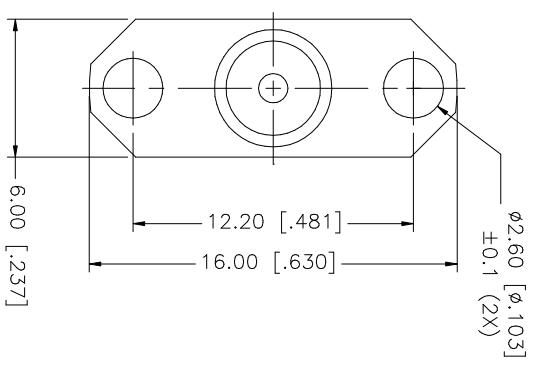
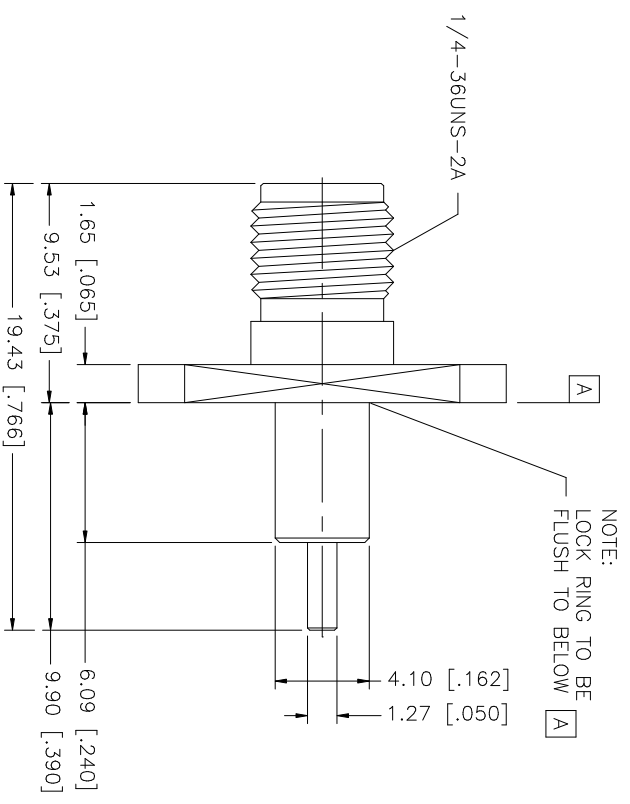


REV.	DATE	DESCRIPTION
NC	02/04/03	INITIAL RELEASE



QTY	FINISH	MATERIAL	DESCRIPTION
1	GOLD	BRASS	1 BODY
1	NATURAL	TEFLON	1 CONTACT PIN
1	NATURAL	BRASS	1 RING
1	GOLD	BER. COPPER	1 INSULATOR
1	NATURAL	TEFLON	1 INSULATOR
1	GOLD	BRASS	1 BODY

UNLESS OTHERWISE SPECIFIED DIMENSIONS ARE IN MILLIMETERS, DIMENSIONS IN [] ARE IN INCHES AND FOR CUSTOMER REFERENCE ONLY.
UNLESS OTHERWISE SPECIFIED TOLERANCES FOR MILLIMETERS ARE: 0.5 - 8mm ± 0.20mm 8 - 30mm ± 0.40mm 30 - 120mm ± 0.50mm
UNLESS OTHERWISE SPECIFIED TOLERANCES FOR INCHES ARE: .020 - .315 = ± 0.007" .315 - 1.180 = ± 0.015" 1.180 - 4.724 = ± 0.020"
DO NOT SCALE DRAWING

APPROVALS	DATE
DRAWN G.R.S.	02/04/03
CHECKED	
ISSUED	
SHEET 1 OF 1	

CAD FILE	DWG. NO.	REV.	NC	SIZE	SCALE
C:/132/132185.DWG	132185.DWG	NC	A	N/A	

PART DESCRIPTION	PART NO.
Amphenol Connex SMA BULKHEAD - EXTENDED TEFLON (.240-.390)	132185