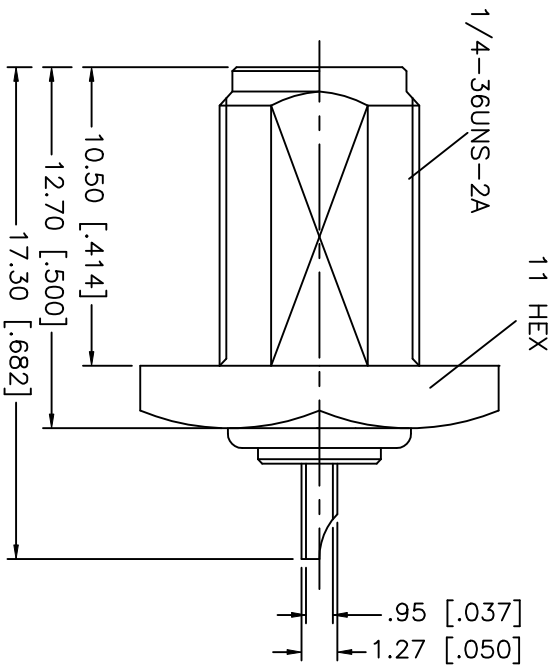
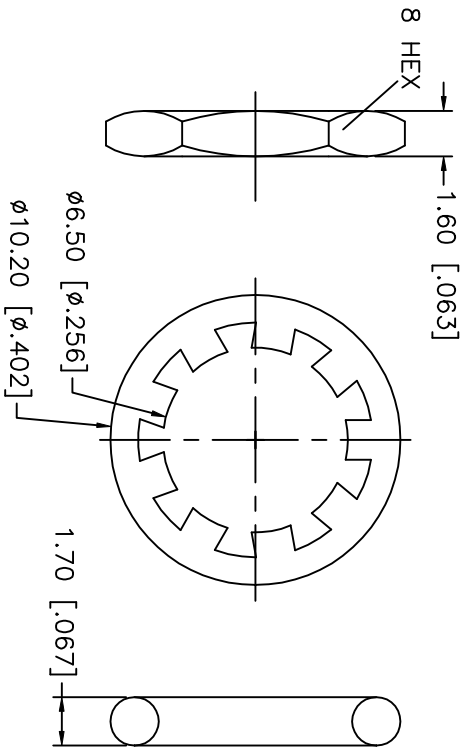
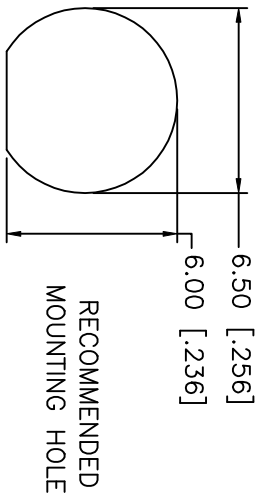


REV.	DATE	DESCRIPTION
NC	03/25/02	INITIAL RELEASE



8																			
7																			
6	HEX NUT	BRASS	GOLD																
5	LOCK WASHER	BRASS	GOLD																
4	GASKET	SILICONE	RED																
3	CONTACT PIN	BER. COPPER	GOLD																
2	INSULATOR	TEFLON	NATURAL																
1	BODY	BRASS	GOLD																
	DESCRIPTION	MATERIAL	FINISH																
				UNLESS OTHERWISE SPECIFIED DIMENSIONS ARE IN MILLIMETERS				APPROVALS				DATE		TITLE					
				DIMENSIONS IN [] ARE IN INCHES FOR CUSTOMER REFERENCE ONLY				DRAWN G.R.S.		03/25/02		SMA BULKHEAD RECEPT. JACK							
				UNLESS OTHERWISE SPECIFIED TOLERANCES FOR INCHES ARE: .XXX = ± 0.005" .XX = ± 0.010" .X = ± 0.020"				CHECKED				CONNECTOR CORPORATION							
				DO NOT SCALE DRAWING				ISSUED				99001							
												132138							
												132138.DWG							
												132138							
												SHEET 1 OF 1							
												REV. NC							

Amphenol - Connex
CONNECTOR CORPORATION

SMA BULKHEAD RECEPT. JACK

99001

132138

SHEET 1 OF 1

REV. NC