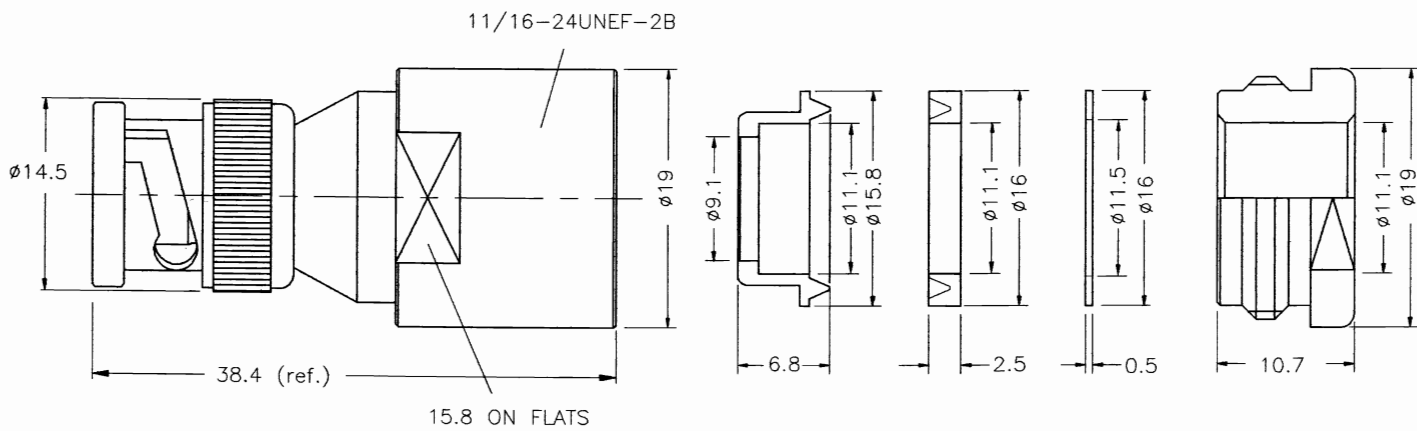
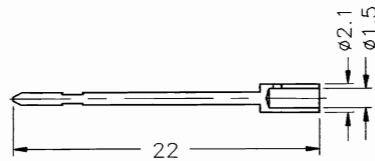
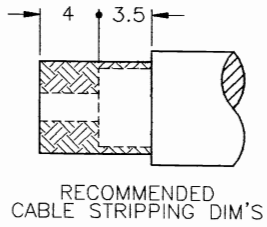



REV.	DATE	DESCRIPTION
NC	04/16/97	INITIAL RELEASE



DESCRIPTION	MATERIAL	FINISH	DIMENSIONS ARE IN MILLIMETERS UNLESS OTHERWISE SPECIFIED TOLERANCES ARE:	APPROVALS	DATE								
1	BODY	BRASS	NICKEL	0.5-6 = ± 0.2	DRAWN					G.R.S.	04/16/97	TITLE	
2	INSULATOR	TEFLON	NATURAL	6-30 = ± 0.4	CHECKED			SIZE	FSCM NO.	DWG. NO.	REV.		
3	CONTACT PIN	BRASS	GOLD	30-120 = ± 0.6	ISSUED			A	99001	112558.DWG	NC		
4	GASKET	SILICONE	RED	120-315 = ± 1				SCALE	2.5:1	PART NO.	112558	SHEET	1 OF 1
5				315-1000 = ± 1.6									
6				1000-2000 = ± 2.4									
7				DO NOT SCALE DRAWING									
8													