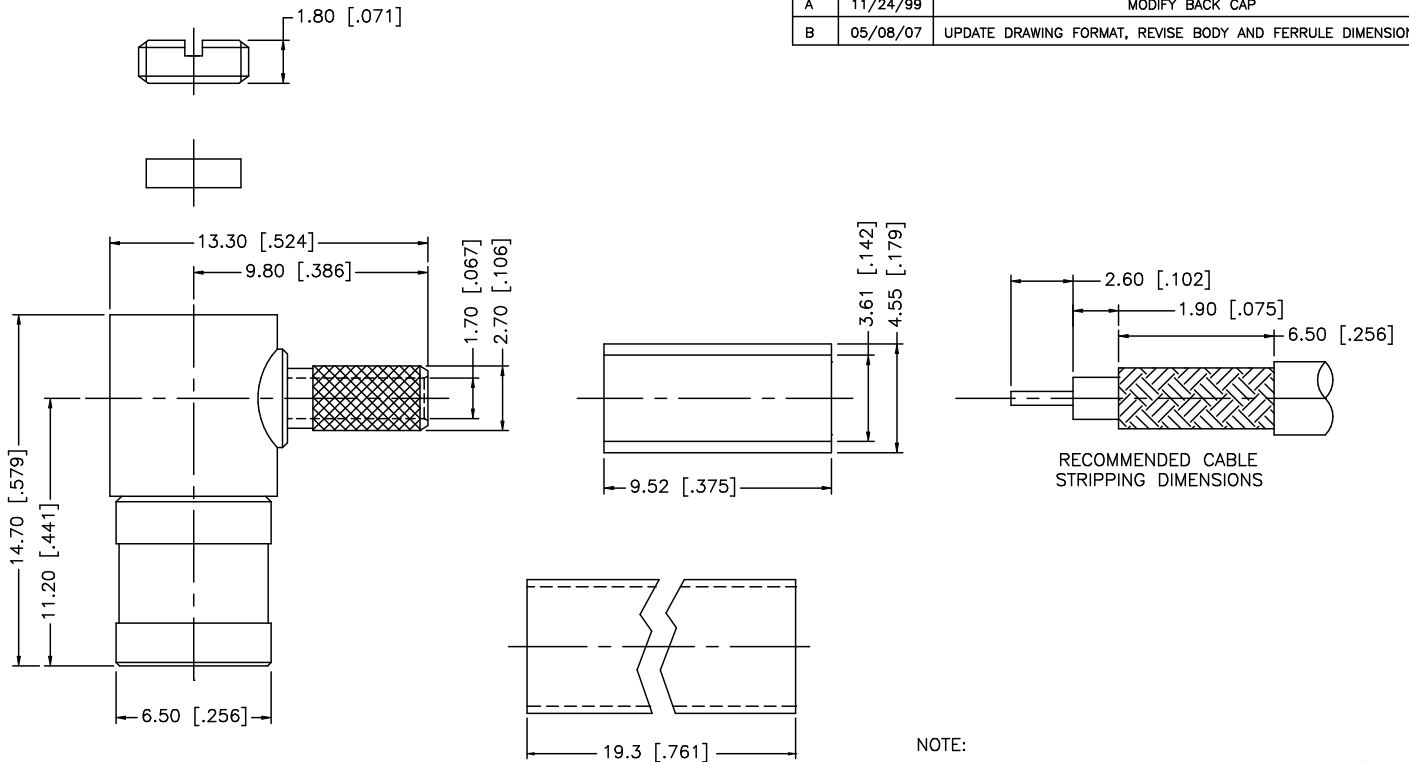


REV.	DATE	DESCRIPTION
A	11/24/99	MODIFY BACK CAP
B	05/08/07	UPDATE DRAWING FORMAT, REVISE BODY AND FERRULE DIMENSIONS



- NOTE:
1. CRIMPED FERRULE HEX CRIMP SIZE .151"
 2. CONTACT PIN TO SOLDER.

QTY	FINISH	MATERIAL	DESCRIPTION
1	NICKEL	BRASS	BODY
1	NICKEL	BER. COPPER	CONTACT PIN
1	NICKEL	COPPER	FERRULE
1	NICKEL	BRASS	COVER
1			HEAT SHRINK TUBE

APPROVALS	DATE
DRAWN G.R.S.	05/08/07
CHECKED	
ISSUED	
SHEET 1 OF 1	
CAD FILE	C:/142/142188.DWG

UNLESS OTHERWISE SPECIFIED DIMENSIONS ARE IN MILLIMETERS; DIMENSIONS IN [] ARE IN INCHES AND FOR CUSTOMER REFERENCE ONLY.
UNLESS OTHERWISE SPECIFIED TOLERANCES FOR MILLIMETERS ARE: 0.5 - 8mm ± 0.20mm 8 - 30mm ± 0.40mm 30 - 120mm ± 0.50mm
UNLESS OTHERWISE SPECIFIED TOLERANCES FOR INCHES ARE: .020 - .315 = ± 0.007" .315 - 1.180 = ± 0.015" 1.180 - 4.724 = ± 0.020"
DO NOT SCALE DRAWING

Amphenol Connex	
PART DESCRIPTION	SMB R/A CRIMP PLUG (FOR RG-316U/D CABLE)
PART NO.	142188
DWG. NO.	142188.DWG
REV.	B
SIZE	A
SCALE	NA