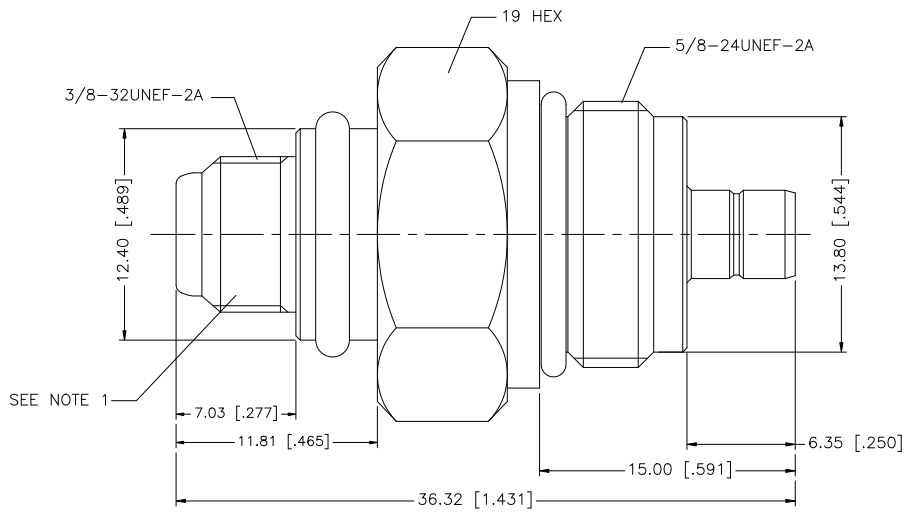


REV.	DATE	ECR NO.	DESCRIPTION
NC	12/09/04	-	INITIAL RELEASE
A	01/18/09	-	CORRECT PART DESCRIPTION TO "SMB"



NOTES:

1. ACCEPTS  $\varnothing 0.5 \sim 1.05$  CENTER CONDUCTOR TYPICAL.

DESCRIPTION	MATERIAL	FINISH	QTY	DO NOT SCALE DRAWING	APPROVALS	DATE	<h1 style="color: blue; margin: 0;">Amphenol Connex</h1>	
8					DRAWN	GRS		<p style="margin: 0;">PART DESCRIPTION</p> <h2 style="margin: 0;">F JACK TO SMB JACK, 75 Ohm ADAPTER</h2> <p style="margin: 0;">PART NO. 242215</p> <p style="margin: 0;">DWG. NO. 242215.DWG</p> <p style="margin: 0;">REV. A    SIZE A    SCALE NA</p>
7					CHECKED			
6					ISSUED			
5	INSULATOR	PTFE	NATURAL	1	SHEET	1 OF 1		
4	GASKET	SILICONE	RED	1	CAD FILE			
3	GASKET	SILICONE	RED	1	C:/242/242215.DWG			
2	CONTACT PIN	BER. COPPER	GOLD	1				
1	BODY	BRASS	NICKEL	1				

UNLESS OTHERWISE SPECIFIED DIMENSIONS ARE IN MILLIMETERS; DIMENSIONS IN [ ] ARE IN INCHES AND FOR CUSTOMER REFERENCE ONLY.

UNLESS OTHERWISE SPECIFIED TOLERANCES FOR MILLIMETERS ARE:  
0.5 - 8mm ± 0.20mm  
8 - 30mm ± 0.40mm  
30 - 120mm ± 0.50mm

UNLESS OTHERWISE SPECIFIED TOLERANCES FOR INCHES ARE:  
.020 - .315 = ± 0.007"  
.315 - 1.180 = ± 0.015"  
1.180 - 4.724 = ± 0.020"