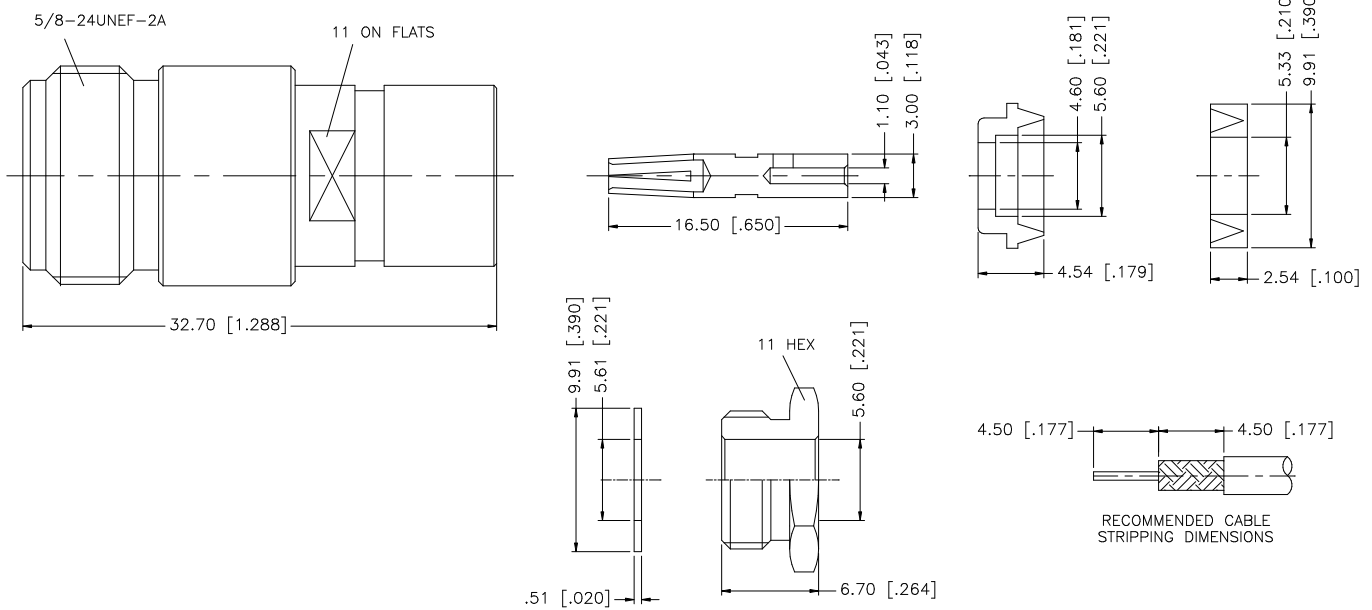


REV.	DATE	DESCRIPTION
NC	07/05/06	INITIAL RELEASE



QTY	DESCRIPTION	MATERIAL	FINISH	QTY	UNLESS OTHERWISE SPECIFIED DIMENSIONS ARE IN MILLIMETERS. DIMENSIONS IN [ ] ARE IN INCHES AND FOR CUSTOMER REFERENCE ONLY.	APPROVALS	DATE	<b>Amphenol Connex</b>
8								
7	HEX NUT	BRASS	NEXCOTE	1	UNLESS OTHERWISE SPECIFIED TOLERANCES FOR MILLIMETERS ARE: 0.5 - 8mm ± 0.20mm 8 - 30mm ± 0.40mm 30 - 120mm ± 0.50mm	DRAWN G.R.S.	07/05/06	
6	WASHER	BRASS	NEXCOTE	1	UNLESS OTHERWISE SPECIFIED TOLERANCES FOR INCHES ARE: .020 - .315 = ± 0.007" .315 - 1.180 = ± 0.015" 1.180 - 4.724 = ± 0.020"	CHECKED		PART NO. <b>172114</b>
5	GASKET	SILICONE	RED	1	DO NOT SCALE DRAWING	ISSUED		
4	BRAID CLAMP	BRASS	NEXCOTE	1		SHEET 1 OF 1		DWG. NO. 172114.DWG
3	CONTACT PIN	PHOS. BRONZE	GOLD	1		CAD FILE	C:/172/172114.DWG	
2	INSULATOR	TEFLON	NATURAL	1				SIZE A
1	BODY	BRASS	NEXCOTE	1				SCALE NA